

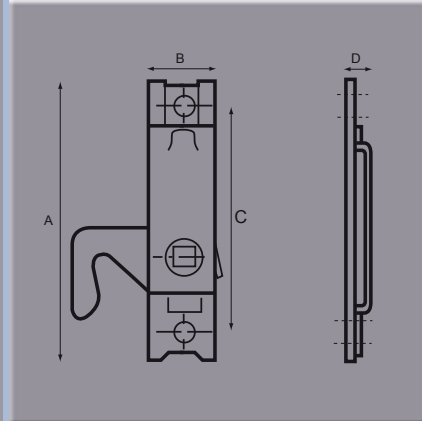


# Stainless Door Gear

## Budget Locks

Part No.	A	B	C	D	E	F	G	H	Finish
<b>2118-1</b>	mm113	25	93	9					Zinc Plated
Right hand lock									
<b>2118-2</b>	mm113	25	93	9					Zinc Plated
Left hand lock									

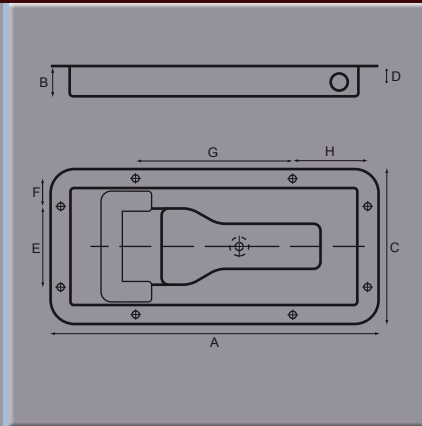
Illustration is right-hand



## 16mm Stainless Steel Recessed Handle

Part No.	A	B	C	D	E	F	G	H	Finish
<b>0714 22824</b>	mm322	29	154	7	80	28	155	25	Stainless Steel
<b>0714 23533</b>	mm322	36	154	12	80	28	155	25	Stainless Steel

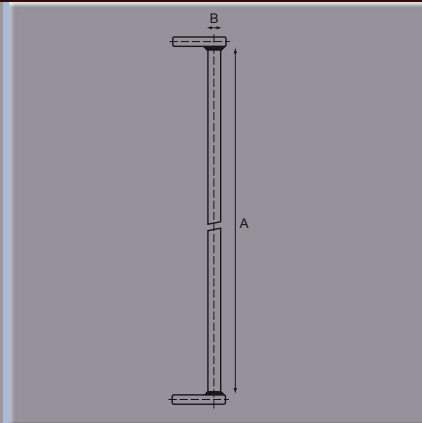
Dimension D is hole setback from pan flange



## 16mm Stainless Steel Rod & Cams

Part No.	A	B	C	D	E	F	G	H	Finish
<b>0719 23115</b>	mm3000	16							Stainless Steel

Bar Ø 16 with welded cams.



## Keepers - 16mm

Part No.	A	B	C	D	E	F	G	H	Finish
<b>0719 22758</b>	mm 16	20	92	112	32				Zinc Plated Steel
<b>0719 22759</b>	mm 16	20	92	112	32				Zinc Plated Steel
<b>0719 22760</b>	mm 11	15	92	112	32				Stainless Steel
<b>0719 22761</b>	mm 11	15	92	112	32				Stainless Steel

Part No. 0719 22758 & Part No. 0719 22760 are right hand  
 Fixing holes: 8.5mm  
 Drawing shows right hand keeper

