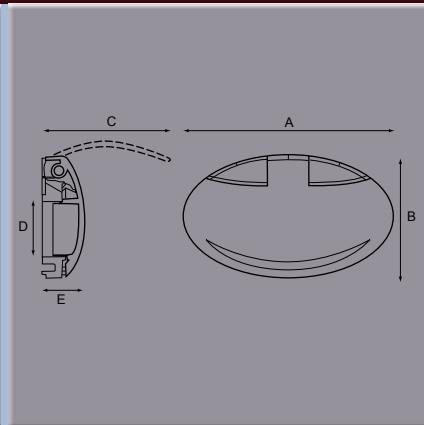




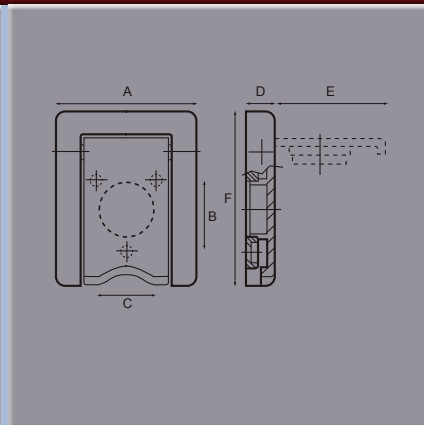
## Oval Escutcheon



Part No.	A	B	C	D	E	F	G	H	Finish
65631	mm 60	36	36	16	12				Black

Material : Glass fibre filled nylon, pin & spring manufactured from stainless steel

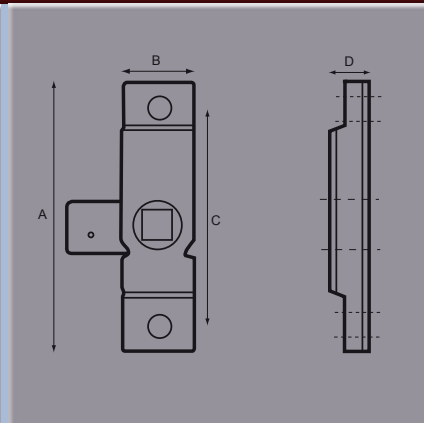
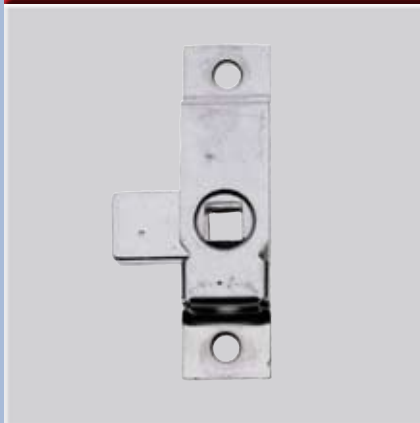
## Plastic Escutcheon



Part No.	A	B	C	D	E	F	G	H	Finish
62853	mm 40	22	22	8	35	50			Black

Spring loaded action, pin & spring manufactured from stainless steel

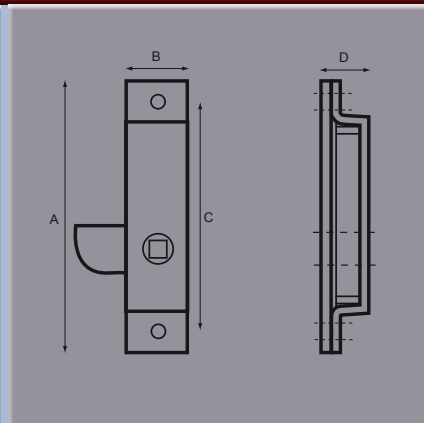
## Budget Locks - Universal



Part No.	A	B	C	D	E	F	G	H	Finish
2126-2	mm 85	22	67	8					Zinc Plated Steel
2126-4	mm 85	22	67	8					Stainless Steel

Non handed.

## Budget Locks



Part No.	A	B	C	D	E	F	G	H	Finish
2120-2	mm 82	22	70	12					Zinc Plated
2120-5	mm 82	22	70	12					Zinc Plated

Illustration is right-hand.