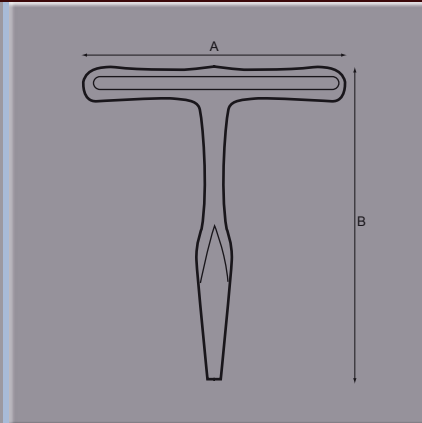




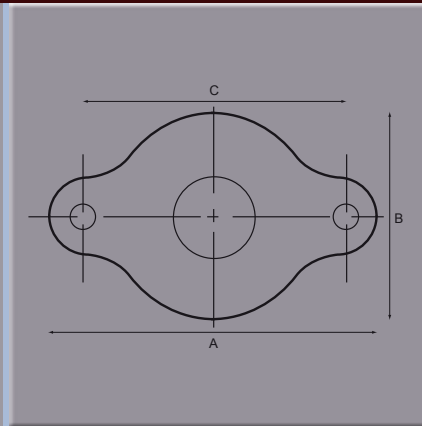
Tee Keys

Part No.	A	B	C	D	E	F	G	H	Finish
2072-1	mm 63	85							Zinc Plated
2072-2	mm 70	123							Zinc Plated



Escutcheon - Chrome Plated

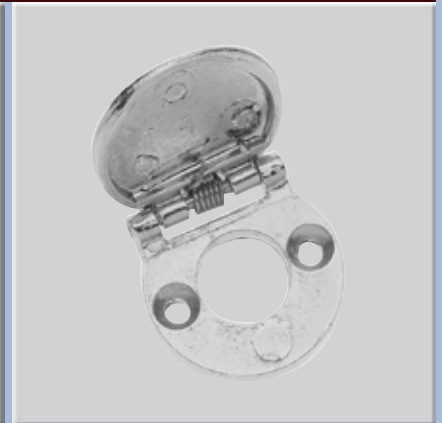
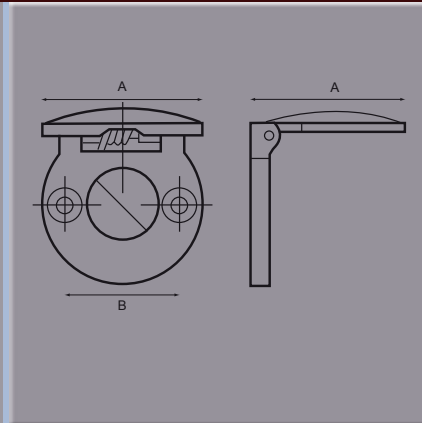
Part No.	A	B	C	D	E	F	G	H	Finish
211	mm 50	30	38						Chrome Plated



Escutcheon - Chrome Plated

Part No.	A	B	C	D	E	F	G	H	Finish
185	mm 27	20							Chrome Plated
186	mm 27	20							Chrome Plated

Projection 7mm.
 Part No. 185 - 3 Hole
 Part No. 186 - 2 Hole



Escutcheon

Part No.	A	B	C	D	E	F	G	H	Finish
2342	mm 30	21	18	5	38	40			Black Plastic

Projection 9mm.

