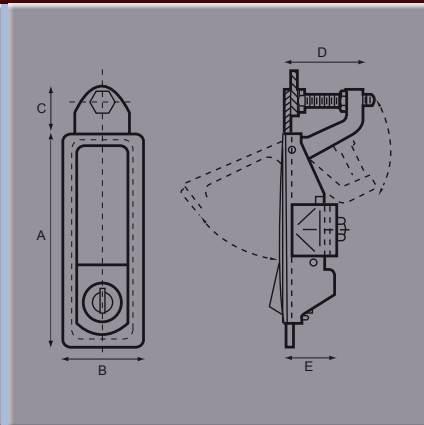
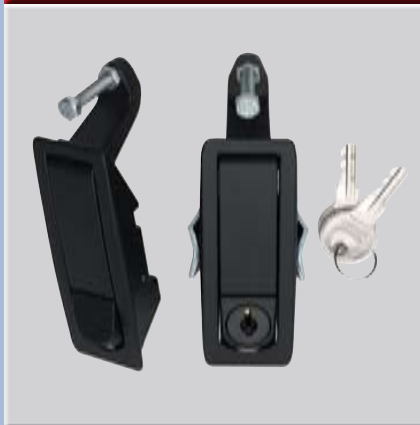




## Flush Latches



Part No.	A	B	C	D	E	F	G	H	Finish
<b>3215</b>	mm 93	34	16	35	22				Black
<b>3225</b>	mm 93	34	16	35	22				Black

Grip range 1 - 23 mm

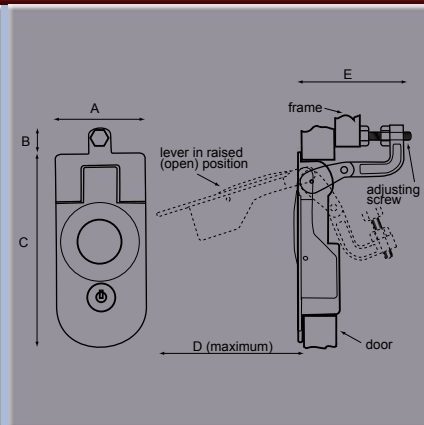
With mounting bracket in position width B is 41mm overall.

Die cast zinc – black powder coated.

Part No. 3215 Non-locking.

Part No. 3225 Locking.

## Flush Latches



Part No.	A	B	C	D	E	F	G	H	Finish
<b>2135</b>	mm 50	15	110	85	60				Black
<b>2136</b>	mm 50	15	110	85	60				Black

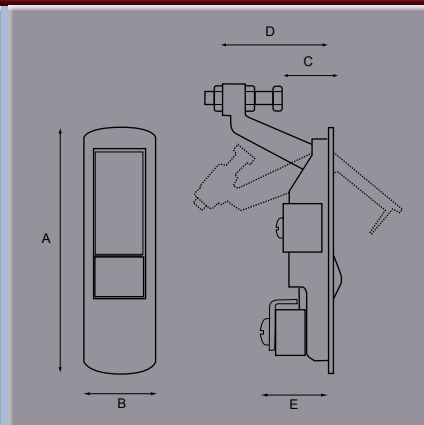
Grip range 29 - 45 mm

Die cast zinc – black powder coated.

Part No. 2135 Locking.

Part No. 2136 Non-locking.

## Flush Latches



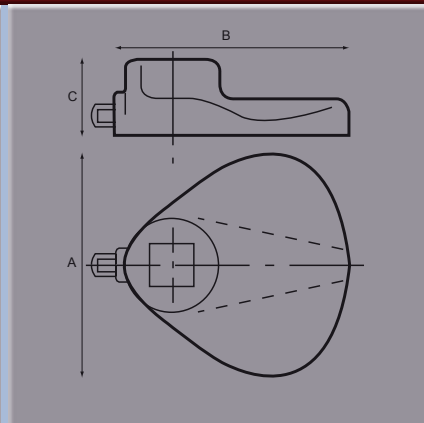
Part No.	A	B	C	D	E	F	G	H	Finish
<b>3216</b>	mm109	31	20	50	22				Black
<b>3226</b>	mm109	31	20	50	34				Black

Grip range 1 - 30 mm

Part No. 3216 Non-locking.

Part No. 3226 Locking.

## Locking Cam



Part No.	A	B	C	D	E	F	G	H	Finish
<b>1/27296</b>	mm 40	44	13						Zinc Plated

Takes standard 8mm handle shaft

Grub screw secures cam to handle shaft