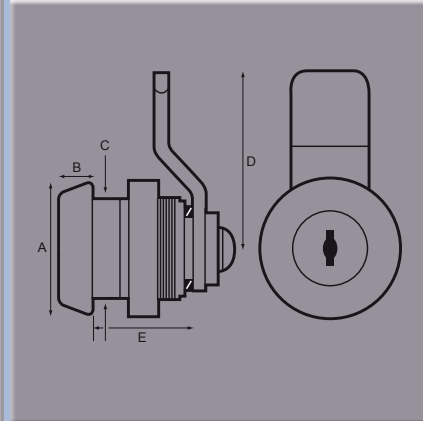




## Compartment Lock

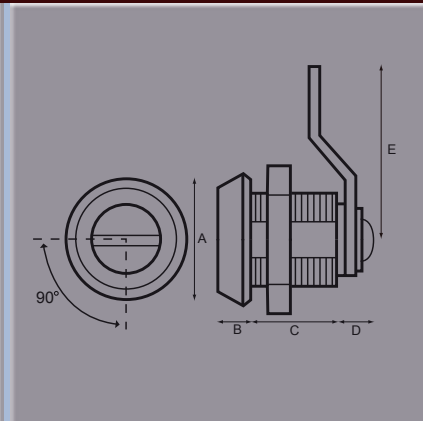
Part No.	A	B	C	D	E	F	G	H	Finish
<b>3554-1</b>	mm 26	6	19	37	19				Chrome Plated
Random Keys	180° movement								
<b>3554-2</b>	mm 26	6	19	37	19				Chrome Plated
keyed alike	180° movement								
<b>3639-1</b>	mm 26	6	19	37	19				Chrome Plated
random keys	90° movement								
<b>3639-2</b>	mm 26	6	19	37	19				Chrome Plated
keyed alike	90° movement								



## Compartment Lock - Slot Drive

Part No.	A	B	C	D	E	F	G	H	Finish
<b>3555</b>	mm 26	6	15	12	37				Chrome Plated

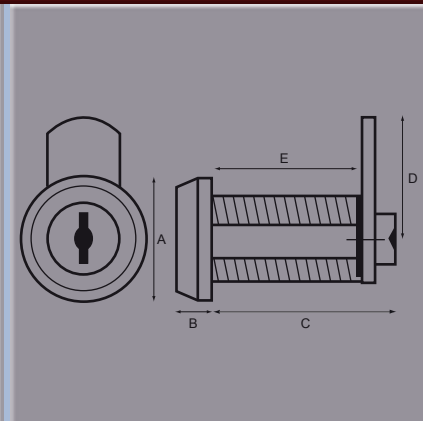
Can be operated using almost any coin/screwdriver blade.



## Compartment Locks - Long Body

Part No.	A	B	C	D	E	F	G	H	Finish
<b>9589</b>	mm 26	8	35	35	30				Chrome Plated 90°
<b>9590</b>	mm 26	8	35	35	30				Chrome Plated 180°

Random keys.



## Compartment Lock/Handle

Part No.	A	B	C	D	E	F	G	H	Finish
<b>3557</b>	mm 80	80	19	25					Black

Black plastic with cast cam  
 Supplied with backing plate, gasket and fixing screws.

