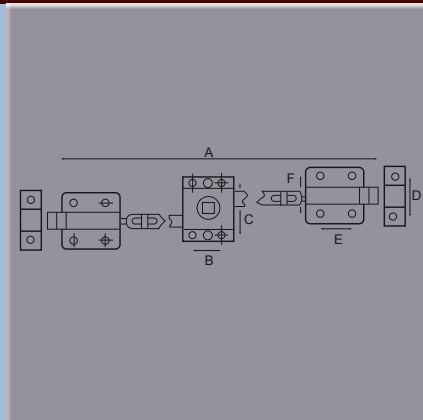
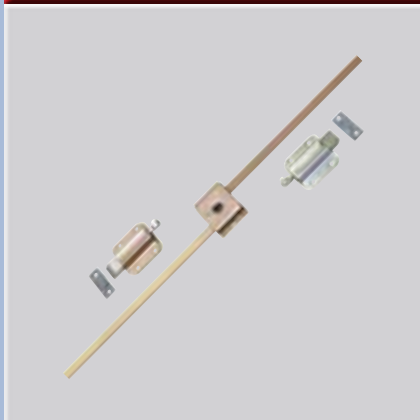


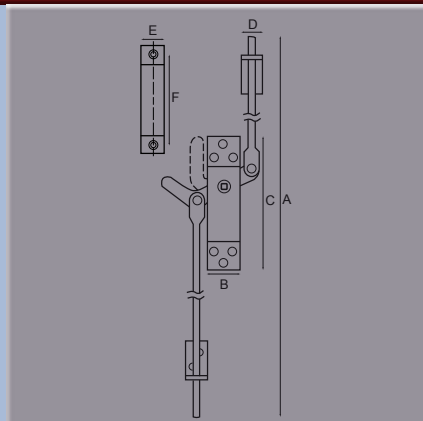
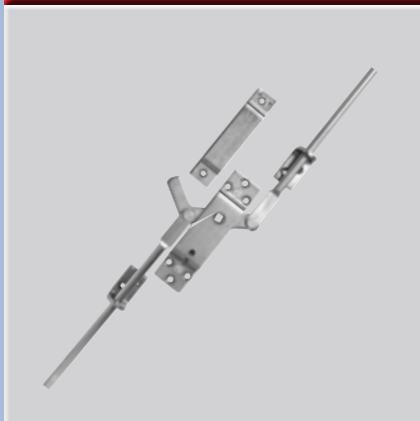


Two Way Slam Locks



Part No.	A	B	C	D	E	F	G	H	Finish
2131-1	mm1320	38	57						Zinc Plated
Centre control with rods									
2131-2	mm				33	45			Zinc Plated
End lock - nose up									
4998-2	mm				33	45			Zinc Plated
End lock - nose down									
4998-7	mm			34					Zinc Plated
Striker									

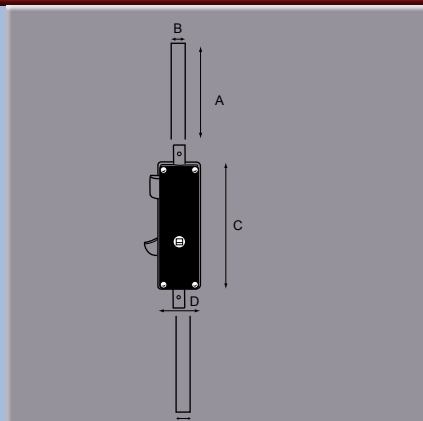
Three Way Locks



Part No.	A	B	C	D	E	F	G	H	Finish
4961-1	mm2264	36	145	25	25	101			Zinc Plated
4961-2	mm2264	36	145	25	25	101			Zinc Plated

Supplied complete with 2 guides/1 keeper.
 Part No. 4961-1 as drawing.
 Part No. 4961-2 opposite to drawing.
 Extended length 2264 – retracted length 2230mm.

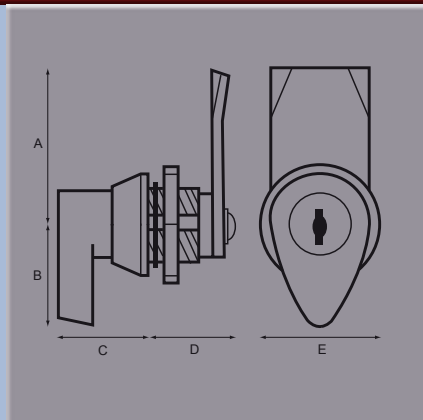
2 & 3 Way Locks



Part No.	A	B	C	D	E	F	G	H	Item
2304436BG	mm		210	80					LH 3 Way Centre Control
2304436BD	mm		210	80					RH 3 Way Centre Control
2304437BG	mm		210	80					LH 2 Way Centre Control
2304437BD	mm		210	80					RH 2 Way Centre Control
2304437TR	mm1040	30							Steel Rod

Illustration is righthand 3 way lock Part No. 2304436BD

Compact Handle Lock



Part No.	A	B	C	D	E	F	G	H	Finish
9/00935	mm 48	28	26	27	30				Chrome Plated

Random keys 90° movement.