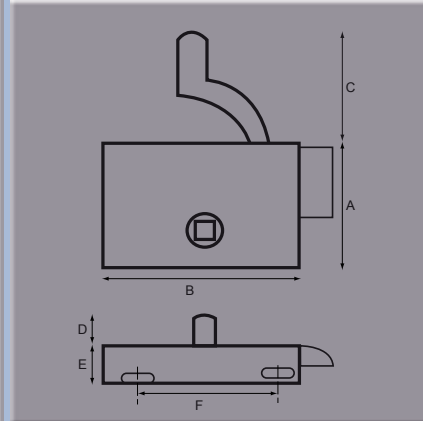




## Ford Tractor Lock

Part No.	A	B	C	D	E	F	G	H	Finish
54FRD	mm 50	75	45	22	33	50			Black Powder Coated

Order Part No. 54FRD-LH or Part No. 54FRD-RH.  
 Illustration shows right-hand version.  
 To suit Ford tractor cabs.

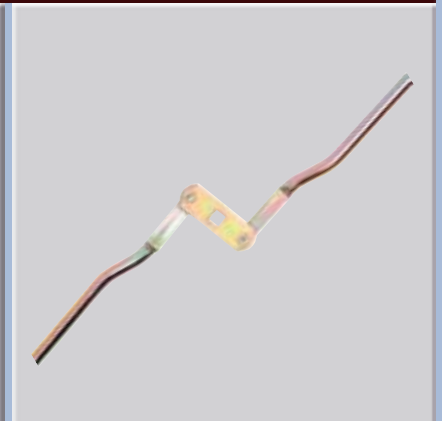
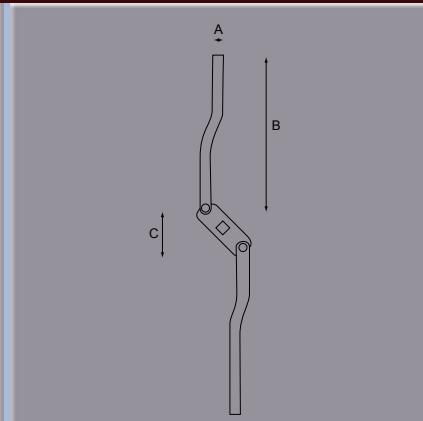


## Rod Lock

Part No.	A	B	C	D	E	F	G	H	Finish
1078	mm 10	1090	46						Zinc Plated Steel

Centre bar is 3mm mild steel with square 8mm piercing centre. Bar must be secured to handle using locknuts on M10 threaded shaft. Rod guides available part number E.

Rotation through 90° will withdraw rods by approx. 23mm

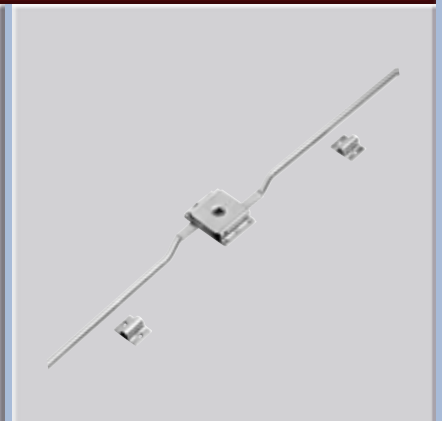
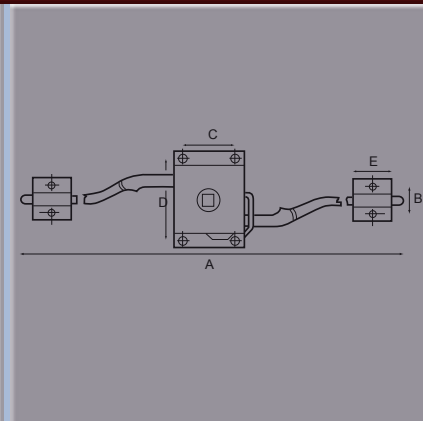


## Rod Locks

Part No.	A	B	C	D	E	F	G	H	Finish
2129	mm 2210	22	38	57	25				Zinc Plated

2129-1	mm 2210	22	38	57	25				Zinc Plated
--------	---------	----	----	----	----	--	--	--	-------------

Illustration and drawing shows Part No. 2129-1 (left-hand).  
 Extended length 2210 – retracted 2160mm.



## Rod Lock

Part No.	A	B	C	D	E	F	G	H	Finish
4962	mm 127	45	114	28					Zinc Plated

2 way lock with rods

If guides are required order 2 x part Ref. E.  
 Supplied with 2 rods x 1100mm.

