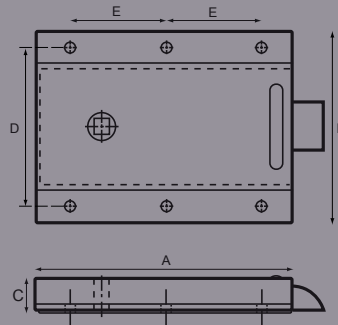
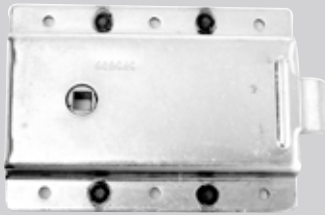




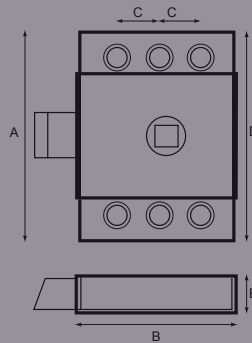
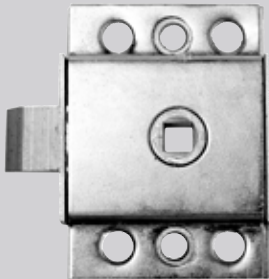
Slam Lock - Heavy Duty



Part No.	A	B	C	D	E	F	G	H	Finish
52C	mm137	100	18	82	50				Zinc Plated

Follower set back 100mm.

Slam Lock

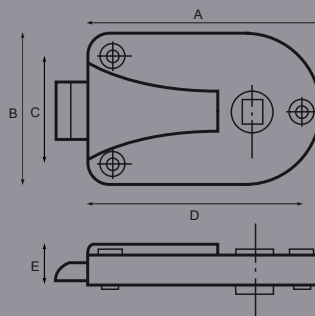


Part No.	A	B	C	D	E	F	G	H	Finish
2238	mm 80	57	15	60	14				Gold Passivated
2920	mm 80	57	15	60	14				Gold Passivated

Part No. 2238 bolt projection 10mm.

Part No. 2920 bolt projection 16mm.

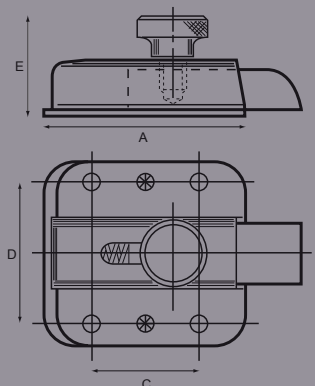
Slam Lock



Part No.	A	B	C	D	E	F	G	H	Finish
2227-2LH	mm 92	60	44	77	16				Non-locking Zinc Plated
2227-2RH	mm 92	60	44	77	16				Non-locking Zinc Plated

As viewed drive shaft turns to right, on Part No. 2227-2LH

Slam Lock



Part No.	A	B	C	D	E	F	G	H	Finish
9243	mm 62	57	34	45	28				Gold Passivated