

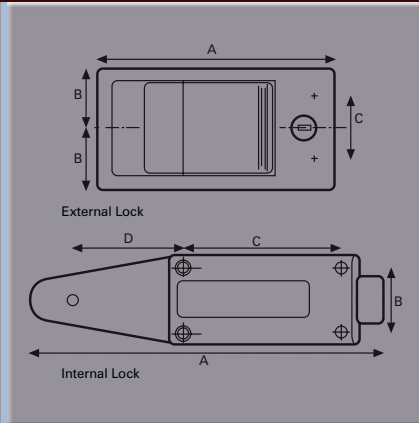


Slam Locks

Caraloc Lock Set

Part No.	A	B	C	D	E	F	G	H	Finish
400	mm145	37	38						Silver External
	mm175	38	92	54					Silver Internal

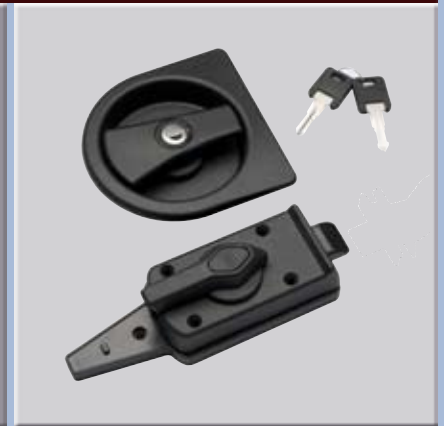
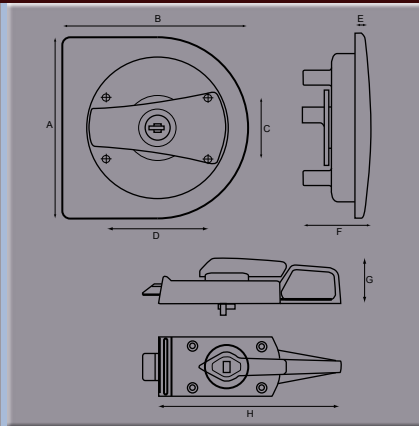
Part No. 400 includes both external handle and internal lock.
 Medium duty set in cast zinc alloy.
 Can be locked from the inside.
 Suitable for door thickness of 25mm.



Lock Set

Part No.	A	B	C	D	E	F	G	H	Finish
LO004	mm114	117	38	64	7	43	42	168	Black

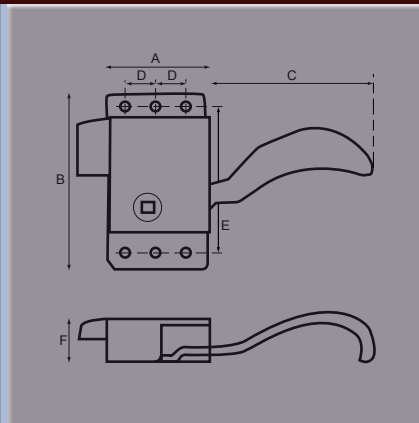
Manufactured from glass filled nylon.
 Part No. LO004 is left hand.



Cab Locks

Part No.	A	B	C	D	E	F	G	H	Finish
55LH	mm 50	85	85	16	73	16			Zinc Plated
55RH	mm 50	85	85	16	73	16			Zinc Plated

Photograph shows Part No. 55RH



Plant on Slam Lock

Part No.	A	B	C	D	E	F	G	H	Finish
2187-2	mm110	72	81	54	20	35			Black

Slide grip lock release.
 Follower set back 60mm

