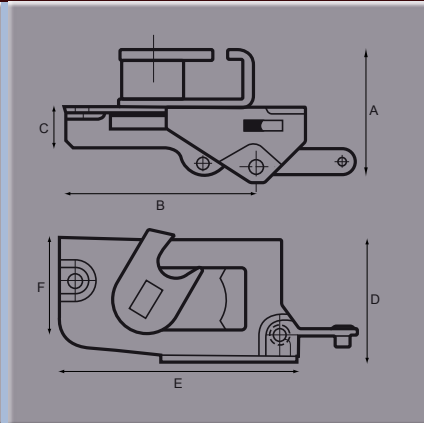




## Anti Burst Lock



Part No.	A	B	C	D	E	F	G	H	Finish
<b>51700</b>	mm 53	52	21	44	87	34			Zinc Plated Steel
<b>66940</b>	mm 53	52	21	44	87	34			Zinc Plated Steel
<b>65927</b>									Connecting Rod
<b>65677</b>									Connecting Rod

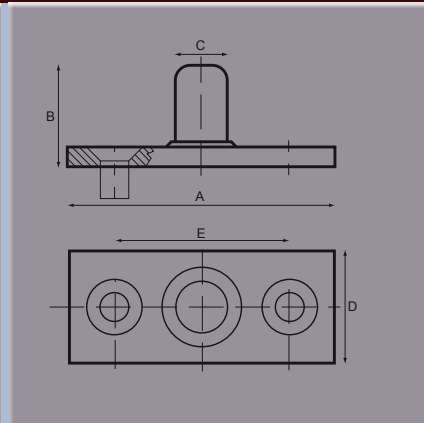
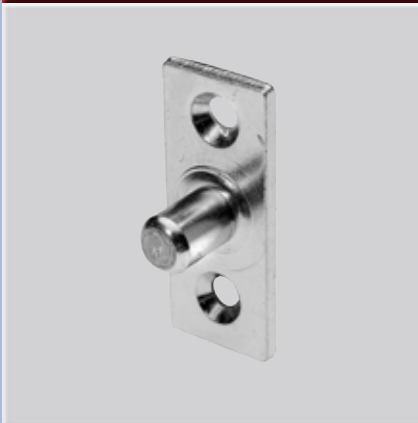
Drawing shows left hand lock Part No. 51700

Right hand version Part No. 66940

Connecting rod to LH lock Part No. **65927** overall length 711 mm

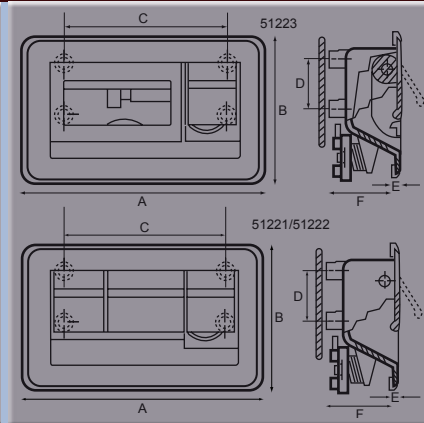
Connecting rod to RH lock Part No. **65677** overall length 739 mm

## Lock Striker



Part No.	A	B	C	D	E	F	G	H	Finish
<b>64981</b>	mm 61	23	12	25	40				Zinc Plated Steel

## Central Control- Anti Burst



Part No.	A	B	C	D	E	F	G	H	Finish
<b>51223</b>	mm174	105	119	36	6	47			Black

Keyed 137. Open handle

Supplied with PVC gasket.

Material: Glass fibre polyamide. Metal components in brass/stainless steel.

Part No.	A	B	C	D	E	F	G	H	Finish
<b>51221</b>	mm174	105	119	36	6	47			Black
<b>51222</b>	mm174	105	119	36	6	47			Black

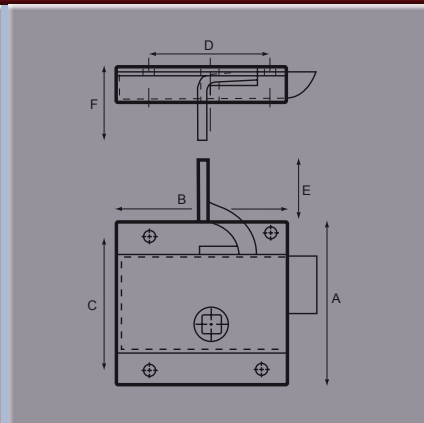
Part No. 51221 keyed 137. Closed handle

Part No. 51222 keyed various. Closed handle

Supplied with PVC gasket.

Material: Glass fibre polyamide. Metal components in brass/stainless steel.

## Cab Locks



Part No.	A	B	C	D	E	F	G	H	Finish
<b>54LH</b>	mm 73	75	60	55	30	40			Zinc Plated
<b>54RH</b>	mm 73	75	60	55	30	40			Zinc Plated

Part No. 54RH is illustrated.

Follower set back 30mm.