



+44 (0)1454 319524  
 sales@stedall.co.uk  
 www.stedall.co.uk

# Dropside Fittings

## Kinnegrip K20 Dropside System

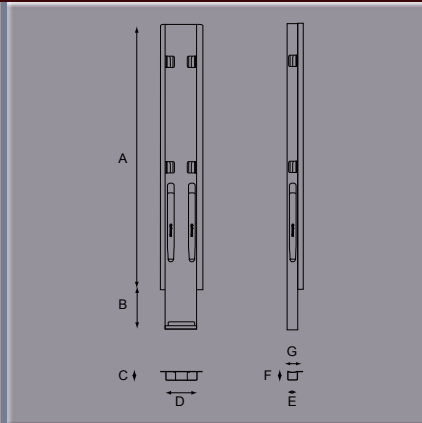
Part No.	A	B	C	D	E	F	G	H	Finish
206301	mm 600	163	35		39	35	59		Steel
206401	mm 600	163	35		39	35	59		Steel
206201	mm 600	155	35	120		35			Steel
206901	mm 600	155	35	120		35			Steel
206001	mm 600	155	35	120		35			Steel

Part number: 206301 L/H Front Pillar  
 206401 R/H Front Pillar  
 206201 Centre Pillar  
 206901 L/H Rear Pillar  
 206001 R/H Rear Pillar

Heavy duty steel dropside system, with detachable centre and rear pillars, rear drop tailboard option available

Alternative pillar heights of 400mm, 500mm, 800mm & 1000mm available.

For further information on this system, please ask for a copy of our K20 leaflet



Part No.	A	B	C	D	E	F	G	H	Finish
737605	mm 386	85	25	55	30		23		Aluminium
737606	mm					60			Aluminium
737655	mm 386	85	25	55	30		23		Aluminium
737656	mm					60			Aluminium

Overall height of pillar is 386mm

Open handle projection is 29mm

Part number: 737605 R/H Lock  
 737606 R/H Receiver  
 737655 L/H Lock  
 737656 L/H Receiver

Alternative pillar heights are available.

For further information on this system, please ask for a copy of our T50 leaflet

