

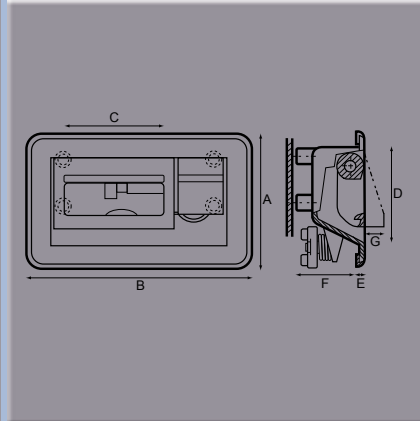


## Central Control - open handle

Part No.	A	B	C	D	E	F	G	H	Finish
69387	mm105	174	75	78	6	47	25		Black

Materials: Glass fibre polyamide, metallic components in brass and stainless steel

Supplied complete with pvc gasket



## Remote Control Sender/Receiver

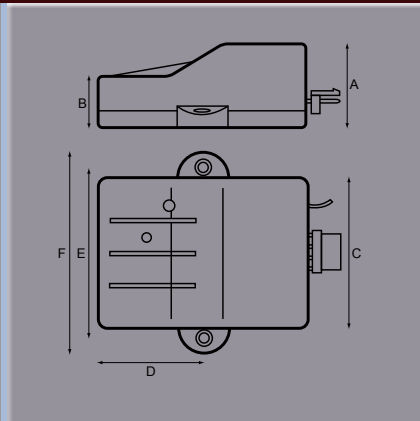
Part No.	A	B	C	D	E	F	G	H	Finish
66197	mm 30	19	54	37	61	72			Black

Material: Black plastic

Fixing holes 3.5mm Diam

Operates signal for locking/unlocking

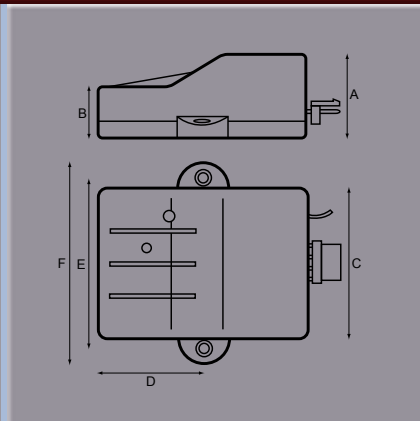
24v



## Central Control Device

Part No.	A	B	C	D	E	F	G	H	Finish
66227	mm 30	19	54	37	61	72			Black

Central control device drives the actuators by remote control or internal push button. It can work with maximum of 4 handles per kit. 24v



## Actuator

Part No.	A	B	C	D	E	F	G	H	Finish
66207	mm 31	127	27	57	25	33			Green
66217	mm 31	127	27	57	25	33			Green

Part No. 66207 5 wire for centralised locking

Part No. 66217 2 wire for input to open/close

24v

