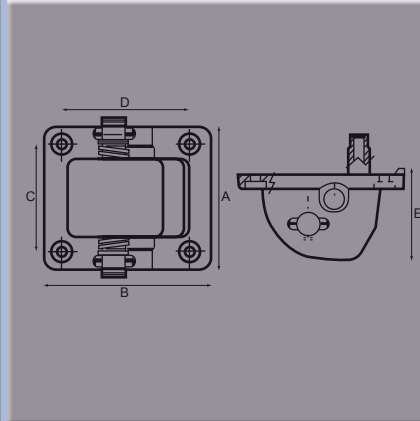




**Drive Connector**

Part No.	A	B	C	D	E	F	G	H	Finish
<b>66138</b>	mm 64	82	53	63	42				Black

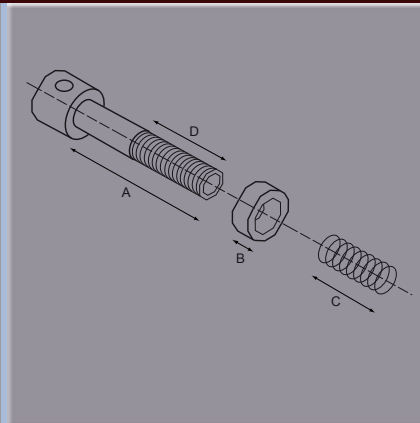
Vertical rod drive connector.  
 Glass fibre polyamide body.  
 Zinc plated steel components.



**Connector Kit**

Part No.	A	B	C	D	E	F	G	H	Finish
<b>62288</b>	mm 55	5	60	50					Zinc Plated
<b>62298</b>	mm 65	5	60	50					Zinc Plated
<b>67628</b>	mm 75	5	60	50					Zinc Plated

Material: Zinc plated steel pin  
 Use with handle Part No. 60768 external locking handle



Visit our website

**[www.stedall.co.uk](http://www.stedall.co.uk)**

to see our latest new products

**Click on Vertical Locking for a typical door lock layout diagram**