



External Locking Handle

Part No.	A	B	C	D	E	F	G	H	Finish
60768	mm156	28	47	48	29				Black
67737	mm156	28	47	48	29				Black
55824									Key
67628									Connector Kit

Universal fitting.

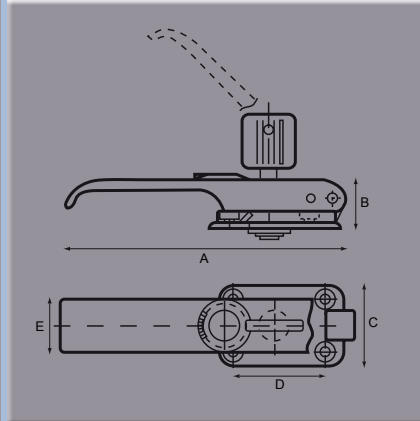
Glass fibre polyamide body. Zinc plated steel components.
 Supplied with fitted gasket.

Part No. 60768 Locking Handle

Part No. 67737 Non Locking Handle

Supplied with one key only. Spare key if required PT. No. 55824

Connector kit PT. No. 67628.



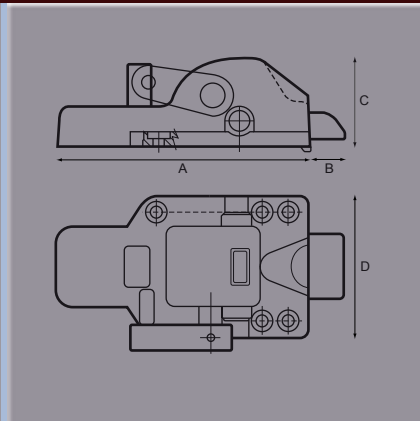
Internal Lock

Part No.	A	B	C	D	E	F	G	H	Finish
65598	mm121	17	42	69					Black
									Upper
65608	mm121	17	42	69					Black
									Lower

Materials: Glass fibre polyamide body

Nylon tongue

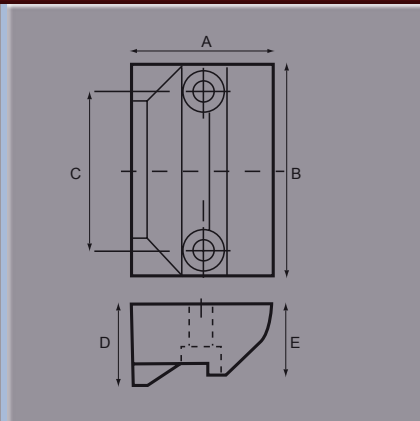
Zinc plated steel components



Striker - with Micro-Switch

Part No.	A	B	C	D	E	F	G	H	Finish
62308	mm 40	61	45	23	20				Black

Material: Glass fibre polyamide.



Striker - without Micro-Switch

Part No.	A	B	C	D	E	F	G	H	Finish
62318	mm 36	40	16	17	12				Black

Material: Glass fibre polyamide.

