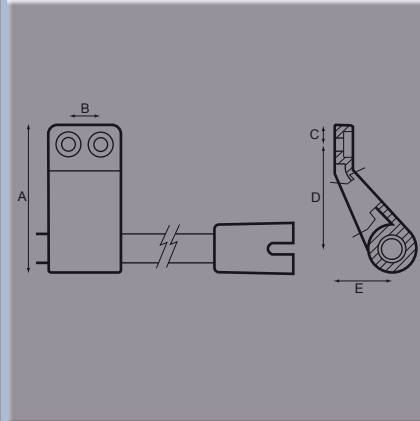




Support Bracket

Part No.	A	B	C	D	E	F	G	H	Finish
65568	mm 65	13	8	43	23				Black

Material: Glass fibre polyamide.



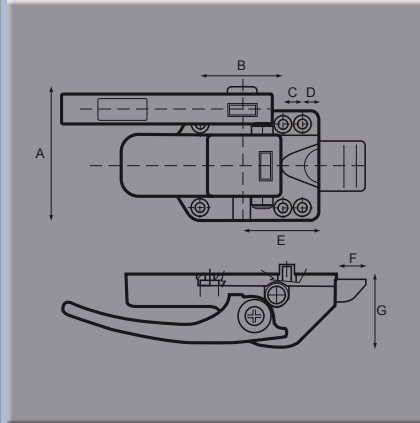
Internal Lock - with Handle

Part No.	A	B	C	D	E	F	G	H	Finish
65868	mm 85	51	12	10	47	17	42		Black
65878	mm 85	51	12	10	47	17	42		Black

Drawing shows Part No. 65868 right hand version, Part No. 65878 is left hand version

Material: Glass fibre polyamide/acetalic resin tongue.

All metal parts zinc plated steel.

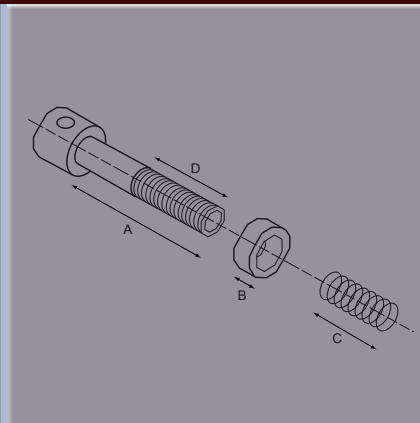


Connector Kit

Part No.	A	B	C	D	E	F	G	H	Finish
62288	mm 55	5	60	50					Zinc Plated
62298	mm 65	5	60	50					Zinc Plated
67628	mm 75	5	60	50					Zinc Plated

Material: Zinc plated steel pin

Use with handle Part No. 60768 external locking handle



Click on Horizontal locking for a typical door lock layout diagram