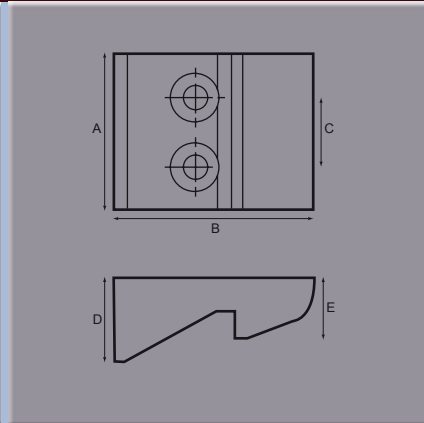




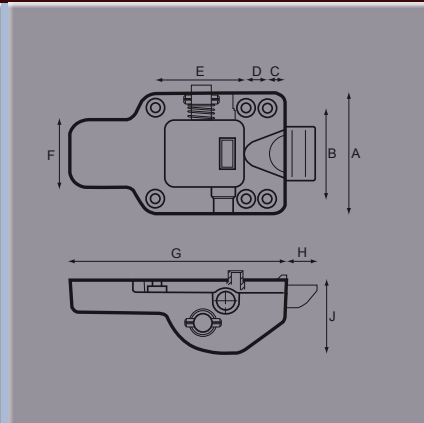
Striker - without Micro-Switch



Part No.	A	B	C	D	E	F	G	H	Finish
62318	mm 36	40	16	17	12				Black

Material: Glass fibre polyamide.

Internal Locks



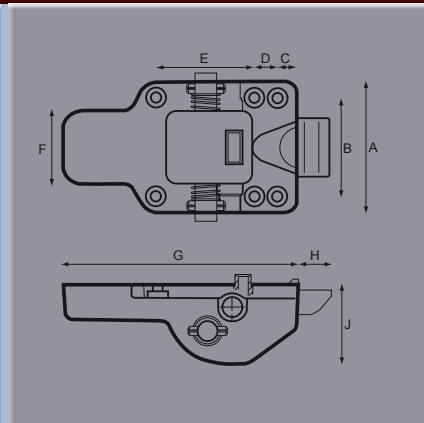
Part No.	A	B	C	D	E	F	G	H	J	Finish
67007	mm 69	53	10	12	51	39	121	17	42	Black
67707	mm 69	53	10	12	51	39	121	17	42	Black

Drawing shows Part No. 67007 Right Hand Version. Part No. 67707 is left hand version

Material: Glass fibre polyamide/acetalic resin tongue.

All metal parts zinc plated steel.

Internal Lock Central

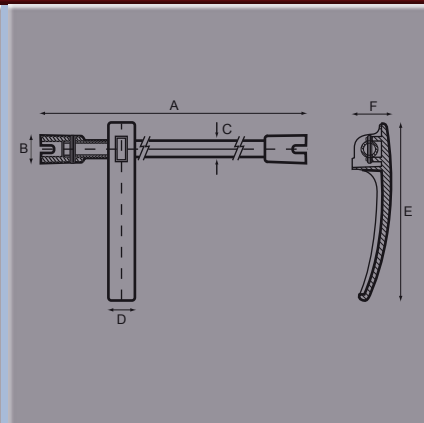


Part No.	A	B	C	D	E	F	G	H	J	Finish
66788	mm 69	53	10	12	51	39	121	17	42	Black

Material: Glass fibre polyamide/acetalic resin tongue.

All metal parts zinc plated steel.

Connecting Rods with Handle



Part No.	A	B	C	D	E	F	G	H	Finish
67618	mm 1300	21	12	13	128	28			Black

Material: Rod in painted steel, supplied complete with glass fibre polyamide handle