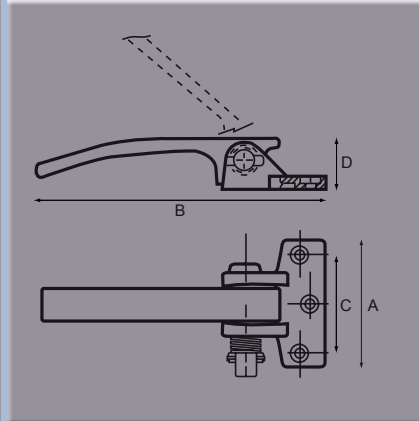




## Internal Handle – Single Point

Part No.	A	B	C	D	E	F	G	H	Finish
<b>67067</b>	mm 71	153	54	28					Black

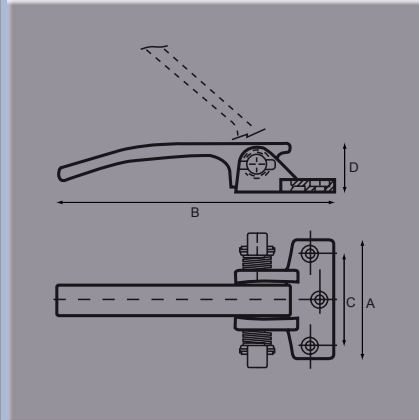
Glass fibre polyamide body.  
 Zinc plated steel components.



## Internal Handle – Two Point

Part No.	A	B	C	D	E	F	G	H	Finish
<b>64418</b>	mm 71	153	54	28					Black

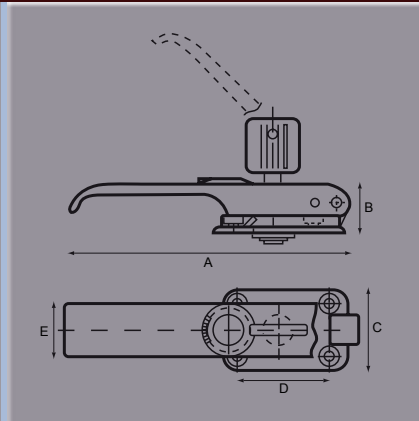
Glass fibre polyamide body.  
 Zinc plated steel components



## External Locking Handle

Part No.	A	B	C	D	E	F	G	H	Finish
<b>60768</b>	mm156	28	47	48	29				Black
<b>67737</b>	mm156	28	47	48	29				Black
<b>55824</b>									Key
<b>67628</b>									Connector Kit

Universal fitting.  
 Glass fibre polyamide body. Zinc plated steel components.  
 Supplied with fitted gasket.  
 Part No. 60768 Locking Handle  
 Part No. 67737 Non Locking Handle  
 Supplied with one key only. Spare key if required Part No. 55824  
 Connector kit Part No. 67628.



## Striker - with Micro-Switch

Part No.	A	B	C	D	E	F	G	H	Finish
<b>62308</b>	mm 40	61	45	23	20				Black

Material: Glass fibre polyamide.

