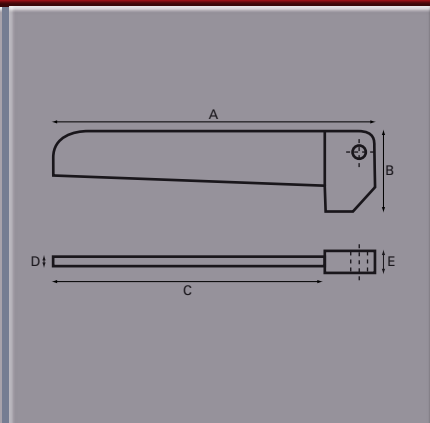




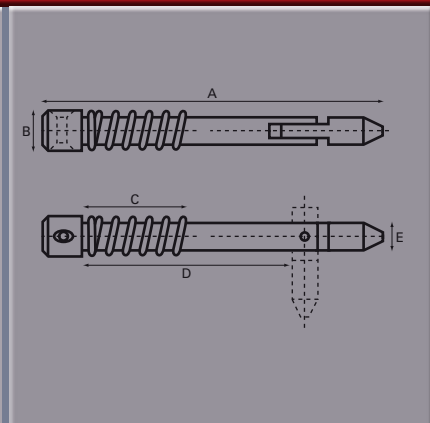
## Drop Forged Cotter and Snap Ring



Part No.	A	B	C	D	E	F	G	H	Finish
<b>6278</b>	mm 84	22	66	4	11				Self Colour

Fitted with 191mm chain

## Round Head Spring Loaded Sword Pins



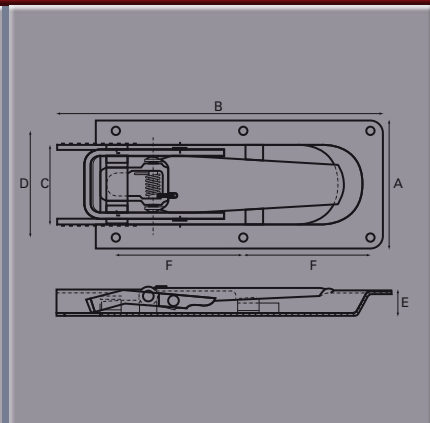
Part No.	A	B	C	D	E	F	G	H	Finish
<b>8206-1</b>	mm114	13	35	63	9				Zinc Plated
<b>8206-2</b>	mm148	19	40	90	12				Zinc Plated
<b>8206-4</b>	mm122	13	35	72	9				Zinc Plated

All zinc plated gold passivated.

Photograph shown complete with Darlaston Washer.

Chain length 190mm.

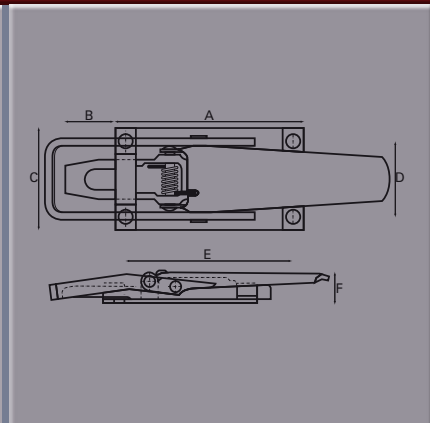
## Overcentre Spring Fastener



Part No.	A	B	C	D	E	F	G	H	Finish
<b>SVF521</b>	mm120	330	79	100	22	137			Zinc Plated

Recessed spring loaded over centre fastener.

## Overcentre Spring Fastener



Part No.	A	B	C	D	E	F	G	H	Finish
<b>SVF522</b>	mm150	40	80	60	130	29			Zinc Plated

Plant on spring loaded over centre fastener.