

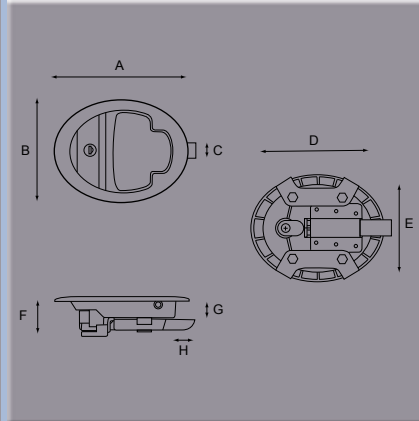


Paddle Handles

Oval Paddle Handle - Slam Bolt

Part No.	A	B	C	D	E	F	G	H	Finish
3419	mm150	120	19	120	100	40	21	26	Black

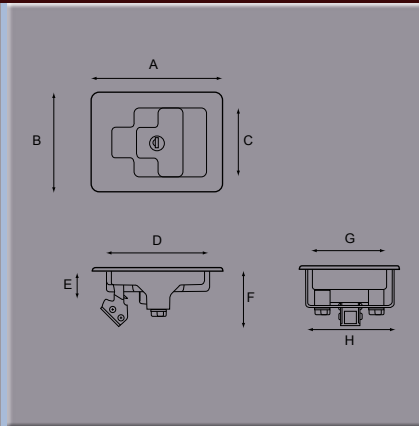
Material: Glass filled nylon with stainless steel & zinc plated components
 Supplied complete with sealing gasket
 Secured from inside using brackets provided



Moulded Weatherproof Paddle Handle

Part No.	A	B	C	D	E	F	G	H	Finish
5462	mm140	108	75	111	29	59	82	97	Black

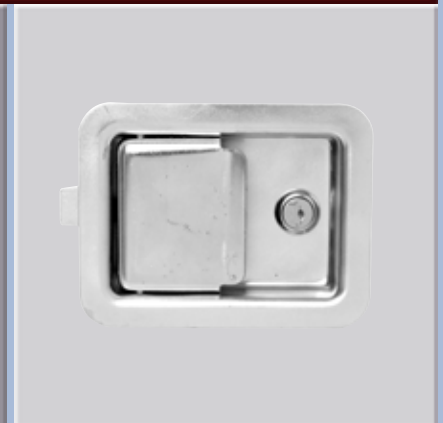
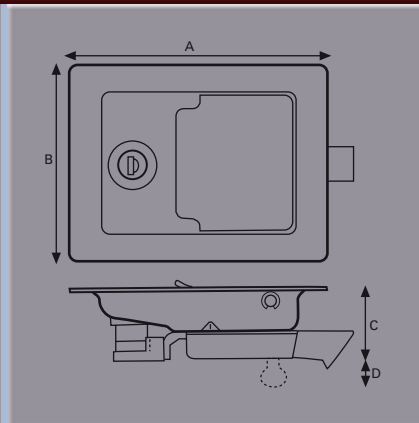
Material: Glass filled nylon with hook-latch action
 Supplied complete with sealing gasket & stainless steel striker plate
 Secured from inside using brackets provided



Paddle Handle

Part No.	A	B	C	D	E	F	G	H	Finish
1-DSL	mm140	108	35						Zinc Plated
1-DSL-SS	mm140	108	35						Stainless Steel
1-DSL-N	mm140	108	35	40					Zinc Plated

Part No. 1-DSL-N fitted with interior release.



Slam Bolt Paddle Handle - Non Locking

Part No.	A	B	C	D	E	F	G	H	Finish
9/00408	mm140	95	108	94	19	22	28		Stainless Steel

Slam bolt manufactured from machine cut solid steel
 Fixing holes: 5mm

