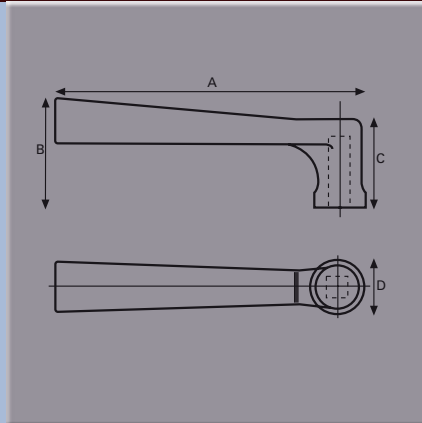


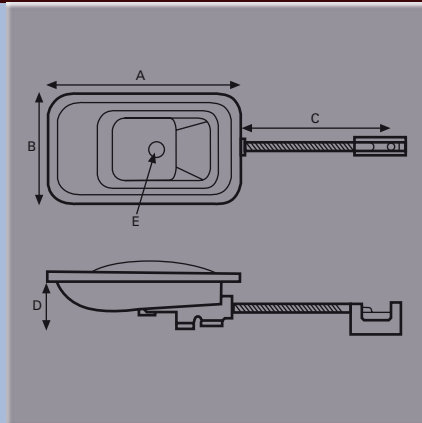


Inside Handle



Part No.	A	B	C	D	E	F	G	H	Finish
1/5459	mm110	40	32	19					Zinc Plated

Inside Buckle Release



Part No.	A	B	C	D	E	F	G	H	Finish
1/29908	mm		80		4				Black Powder Coated
3/22324	mm102	55		23					Black Plastic

Unit shown assembled.

D = assembled depth.

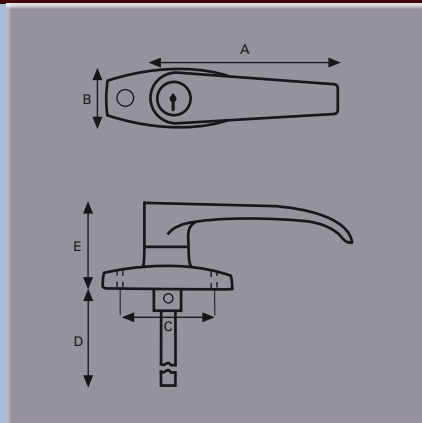
E = fixing hole.

Non handed unit – mounted through 'E'. Rubber buffer on frame acts as stop and prevents rattle.

1/29908 is buckle release.

3/22324 is trim bowl.

L Handles

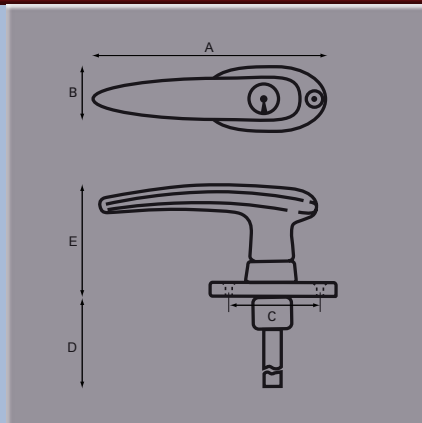


Part No.	A	B	C	D	E	F	G	H	Finish
3990-1	mm115	33	38	125	42				Chrome Plated
Random keys									
3990-2	mm115	33	38	125	42				Chrome Plated
Non locking									
3990-3	mm115	33	38	125	42				Chrome Plated
Keyed FS880									

Open fixing with shuttered lock cylinders.

Neoprene gasket supplied.

L Handles



Part No.	A	B	C	D	E	F	G	H	Finish
4062-1	mm105	32	44	125	50				Chrome Plated
Random keys									
4062-2	mm105	32	44	125	50				Chrome Plated
Non locking									
4062-3	mm105	32	44	125	50				Chrome Plated
Keyed FS880									

Open fixing.

Neoprene gasket supplied.