

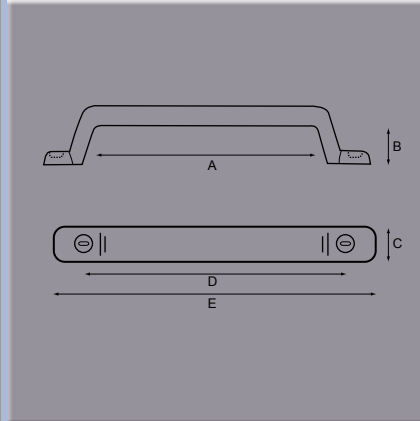


Grab Handles

Interior Grab Handle

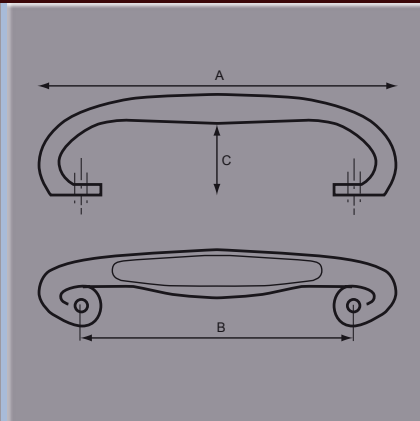
Part No.	A	B	C	D	E	F	G	H	Finish
0304 17556	mm170	40	30	250	275				Black
0304 18582	mm 95	30	25	160	185				Black

PVC coated handle with steel core. Supplied complete with screw covers.



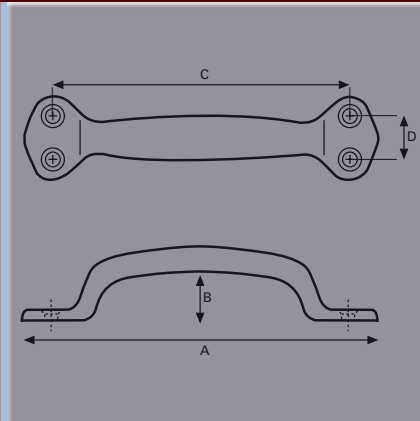
Grab Handle

Part No.	A	B	C	D	E	F	G	H	Finish
7655-3	mm195	153	40						Chrome Plated



Grab Handle – Heavy Duty

Part No.	A	B	C	D	E	F	G	H	Finish
3200	mm210	30	175	25					Chrome Plated



Flush Fit Grab Handle

Part No.	A	B	C	D	E	F	G	H	Finish
9/01390	mm133	60	41	114	21	95			Black

Material: Polyurethane
 6mm countersunk fixing holes

