

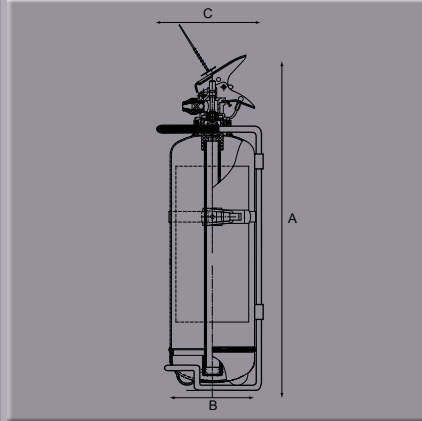


Emergency Equipment

Fire Extinguisher Foam

Part No.	A	B	C	Rating	Volume
900AF	mm335	85	95	5A/34B	1Ltr.
900AF/C	mm335	85	95	5A/34B	1Ltr.
2000AF	mm339	110	135	8A/55B	2Ltr.
2000AF/C	mm339	110	135	8A/55B	2Ltr.

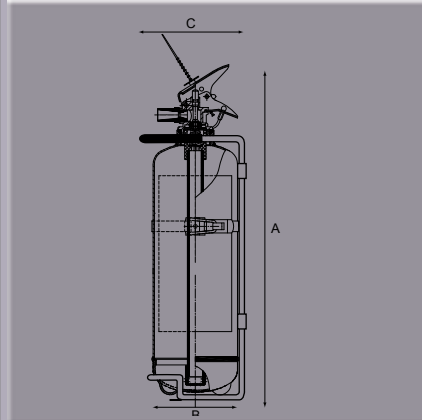
Application
 900AF – PSV to BS5423
 2000AF – PSV to EN3
 Picture shows Part No. 900AF/C with integral central clamp



Fire Extinguisher - Dry Powder

Part No.	A	B	C	Rating	Volume
1000DP	mm340	85	85	8A/55B	1Kg.
2000DP	mm387	110	110	13A/89B	2Kg.
6000DP	mm503	245	165	27A/183B	6Kg.
9000DP	mm610	235	185	43A/233B	9Kg.

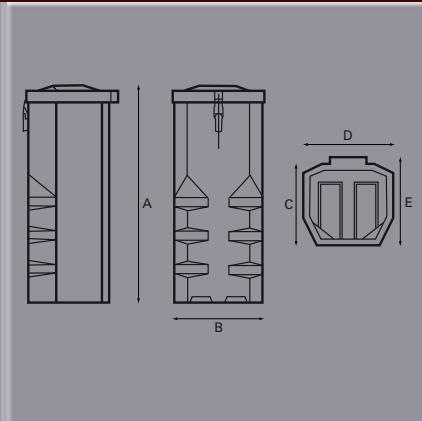
Manufactured to EN3
 6000DP and 9000DP supplied complete with hose



Fire Extinguisher Box

Part No.	A	B	C	D	E	F	G	H	Finish
FEB65	mm650	260	240	260	275				Red
FEB75	mm750	300	270	300	300				Red

Manufactured from medium density recyclable polyethylene.
 For 6kg extinguisher (6000DP).
 For 9kg extinguisher (9000DP).



Fireflex Automatic Fire Extinguisher System

Part No.	A	B	C	Volume	Contents
1000FF	mm380	80	83	1Kg	Dupont 134A
1000FFLF	mm380	80	83	1Kg	Dupont 134A

Part No. 1000FF is designed for vertical installation
 Part No. 1000FFLF is designed for horizontal installation
 Trace tube 4 metres

This system combines a fire extinguisher with a unique trace tube to offer automatic protection against fire. The trace tube is installed under the bonnet of the vehicle, and is pressurised directly from the cylinder. In the event of a fire the tube melts close to the source of the flame and the extinguishing medium is released to extinguish the flame.

Additional options are available including warning lights, buzzers and manual over-ride switches.

