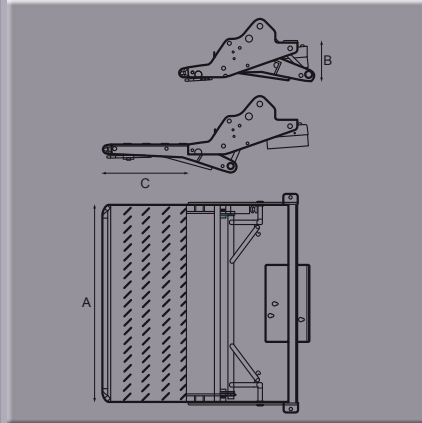




## Stem Electric Step

| Part No. | A     | B   | C   | D | E | F | G | H | Finish            |
|----------|-------|-----|-----|---|---|---|---|---|-------------------|
| 6137     | mm630 | 130 | 265 |   |   |   |   |   | Zinc Plated Frame |

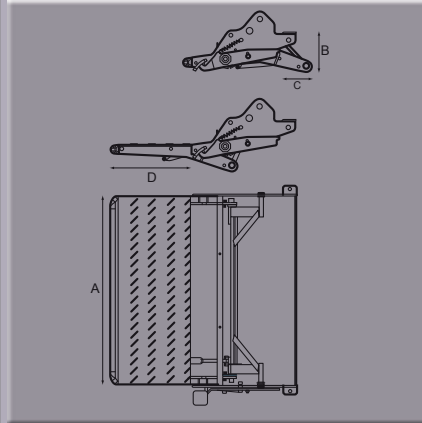
Self colour anti-slip aluminium with plastic front edge for safety.  
 Activated by 12v system with practical manual back-up control in case of power failure.  
 Fixing kits are available



## Stem Semi-Automatic Step

| Part No. | A     | B   | C  | D   | E | F | G | H | Finish            |
|----------|-------|-----|----|-----|---|---|---|---|-------------------|
| 6138     | mm630 | 122 | 90 | 265 |   |   |   |   | Zinc Plated Frame |

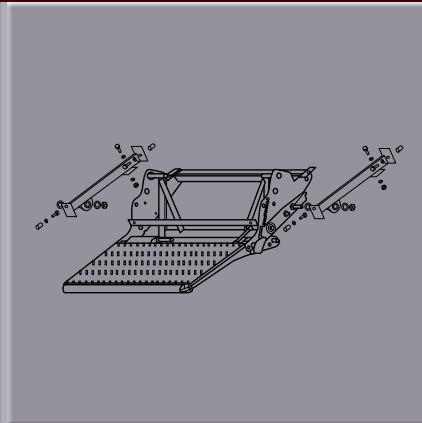
Self colour anti-slip aluminium with a plastic front edge for safety.  
 Activated by a foot pedal, the step is simply pushed back in with the foot.  
 Fixing kits are available



## Fitting Kits For Stem Steps

| Part No. |                   |
|----------|-------------------|
| 6137-1   | Fiat Ducato       |
| 6137-2   | Fiat Scudo        |
| 6137-4   | Renault Master    |
| 6137-5   | Mercedes Sprinter |
| 6137-6   | Ford Transit      |

Part No. 6137-4 illustrated



## Cassette Step

| Part No. | A     | B   | C   | D   | E   | F | G | H | Finish           |
|----------|-------|-----|-----|-----|-----|---|---|---|------------------|
| 6139     | mm 60 | 690 | 470 | 290 | 610 |   |   |   | Galvanised Steel |

Gas strut assisted, this cassette step is operated by pushing your foot against the front step edge,  
 Supplied complete with a universal fitting kit, hi-visibility front corners & edge strip, and warning buzzer.

