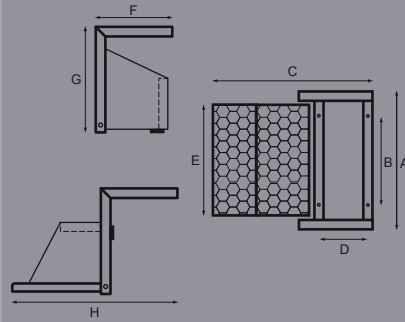




## Folding Step



Part No.	A	B	C	D	E	F	G	H	Finish
17310	mm605	395	750	230	505	335	480	750	Galvanised

Material; Steel.

Self cleaning treads with serrated holes for maximum grip.