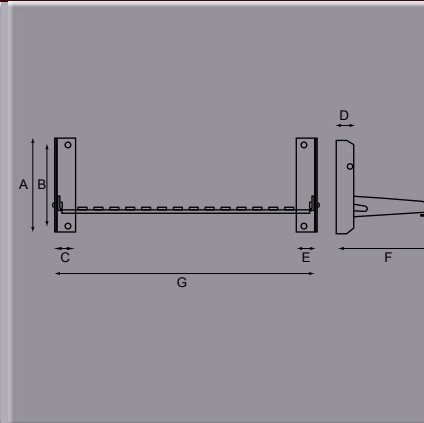




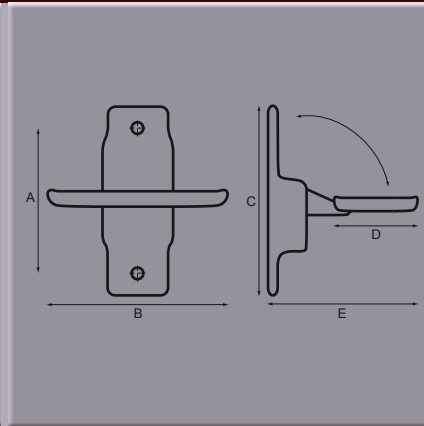
Folding Step



Part No.	A	B	C	D	E	F	G	H	Finish
3943952	mm165	140	25	30	35	142	440		Zinc Plated Steel

Fixing hole diameter 10.5mm

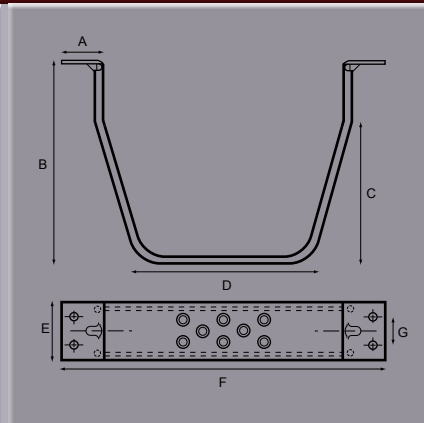
Folding Step



Part No.	A	B	C	D	E	F	G	H	Finish
600	mm 99	100	118	53	97				Zinc Plated

Material; Steel.

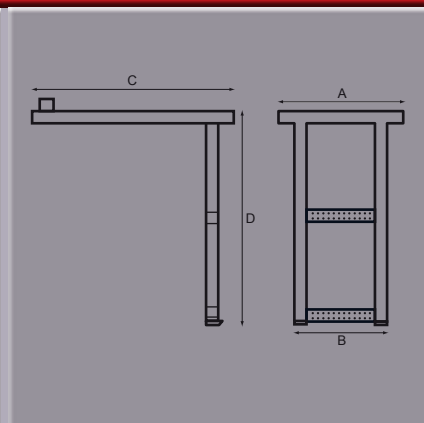
Stirrup Step



Part No.	A	B	C	D	E	F	G	H	Finish
0347 11231	mm 50	240	170	205	70	400	35		Zinc Plated
0347 11232	mm 50	360	170	205	70	400	35		Zinc Plated

Material; 2mm steel.

Sliding Step



Part No.	A	B	C	D	E	F	G	H	Finish
6132	mm345	275	650	625					Zinc Plated

Material; steel.