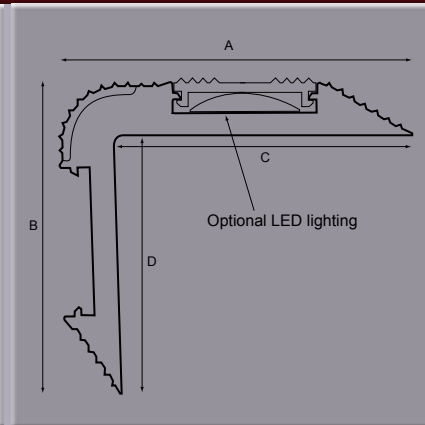
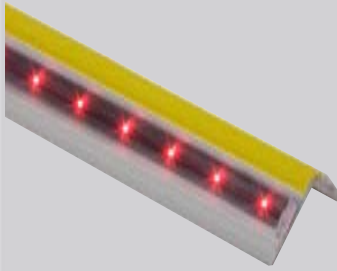




## PVC Step Edging



Part No.	A	B	C	D	E	F	G	H	Finish
<b>SVF1566</b>	mm 37	32	31	26					Edging – Grey/Yellow
<b>SVF1566-1</b>									Insert - Grey
<b>SVF1566-2</b>									Insert – Clear
<b>SVF1566-3</b>									Insert - Yellow

With LED illumination option.

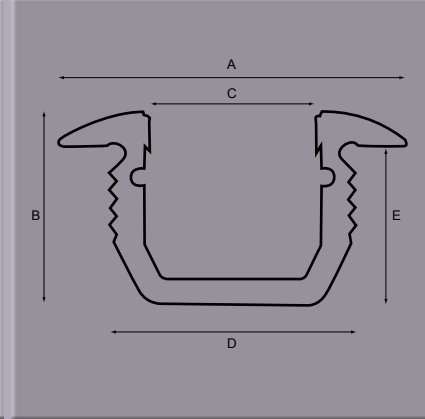
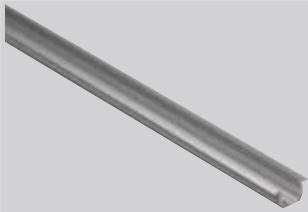
Universal fitment: 26mm or 31mm depth.

Supplied in 4 metre lengths – Non slip surface with high visibility yellow corner.

Use grey or yellow insert for standard fitment.

Use clear insert with LED lighting fitment (see item 578 – page 154).

## Stedled Aisle Carrier

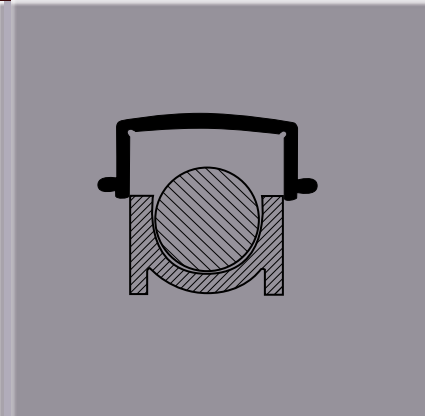


Part No.	A	B	C	D	E	F	G	H	Finish
<b>SVF1585-1</b>	mm 20	11	10	14	9				Anodised

Supplied in 2 metre lengths.

Anodised Aluminium extrusion for use with Stedled components.

## Stedled Components



Part No.	Product
<b>SVF1585-3</b>	2 metre Fibre Optic Rod, Reflector and Cover Strip
<b>SVF1585-6</b>	12V Red LED
<b>SVF1585-7</b>	12V Blue LED
<b>SVF1585-8</b>	12V Green LED
<b>SVF1585-9</b>	24V Red LED
<b>SVF1585-10</b>	24V Blue LED
<b>SVF1585-11</b>	24V Green LED

Use with Stedled Aluminium Profiles Part No. SVF1585-1 and Part No. SVF1585-2.