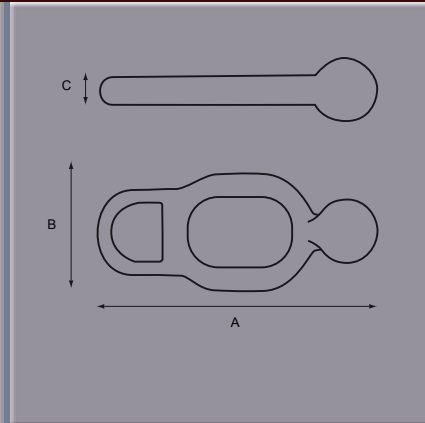




Dropside Fittings

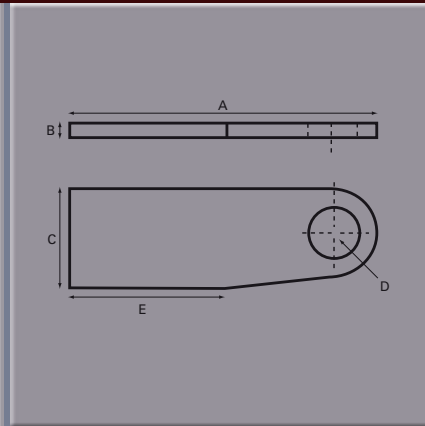
Tailboard Clasp

Part No.	A	B	C	D	E	F	G	H	Finish
20035	mm110	46	9						Self Colour



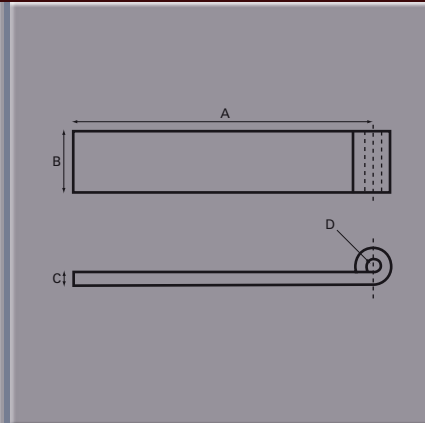
Eye Plates – Pressed

Part No.	A	B	C	D	E	F	G	H	Finish
8070-1	mm152	5	50	22	77				Self Colour
8070-2	mm152	6	50	22	79				Self Colour



Short Hinges

Part No.	A	B	C	D	E	F	G	H	Finish
8121-1	mm150	30	5	13					Self Colour
8121-3	mm150	40	8	13					Self Colour



Straight Hinges

Part No.	A	B	C	D	E	F	G	H	Finish
6118-1	mm457	30	6	12					Self Colour
6118-5	mm762	40	8	12					Self Colour
6118-1ZP	mm457	30	6	12					Zinc Plated
6118-3ZP	mm457	40	8	12					Zinc Plated

