

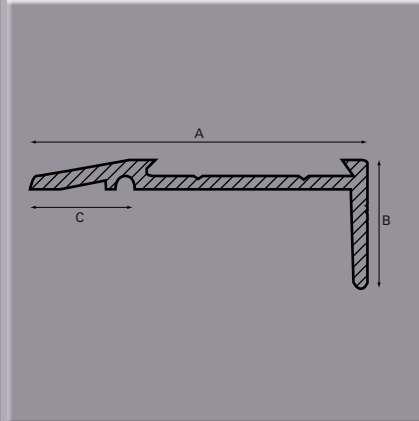


Tiger Stripe – Slope Carrier

Part No.	A	B	C	D	E	F	G	H	Finish
SVF1569	mm 82	31	25						Self Colour

Supplied in 3 metre lengths.

Mill finish aluminium extrusion for use with SVF1570/SVF1570Y insert.

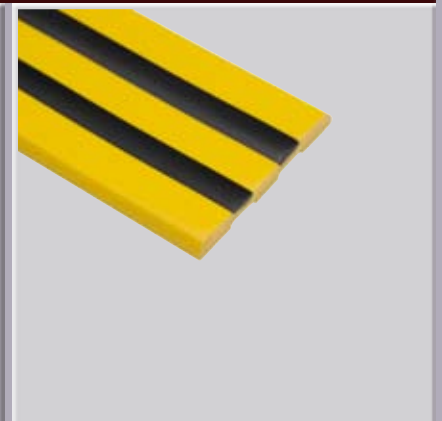
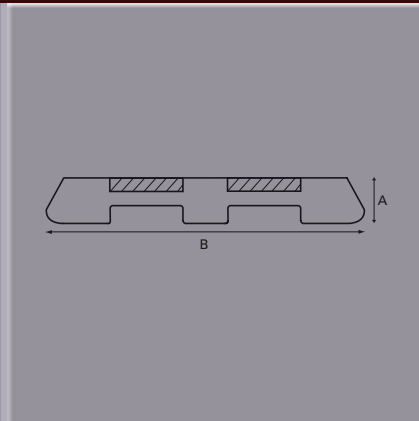


Tiger Stripe – Insert

Part No.	A	B	C	D	E	F	G	H	Finish
SVF1570	mm 5	52							Yellow/Black
SVF1570Y	mm 5	52							Yellow

Supplied in 18 metre coils.

One piece flexible black and yellow or yellow only insert for use with SVF1568, SVF1569 and SVF1571.



Self Adhesive Anti Slip Material

Part No.	Finish
269-1	Black - Coarse
269-2	Black/Yellow -Standard

Good adhesion and a durable surface make this product suitable for many applications in the vehicle industry

Suitable for use on virtually any base

Also available in other widths and colours to special order

Available colours white, clear, yellow, green, blue and red

Available in two grades, standard or coarse



PVC Step Edging

Part No.	A	B	C	D	E	F	G	H	Finish
SVF1565	mm 30	20							Black

5 metre lengths (Supplied in packs of 10 lengths only).

Suitable for internal step applications.

Non-slip serrated top surface.

Fix mechanically or by bonding.

