

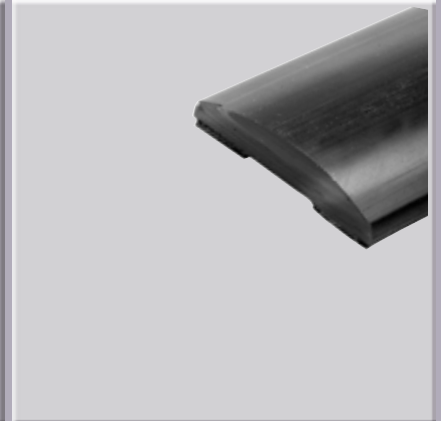
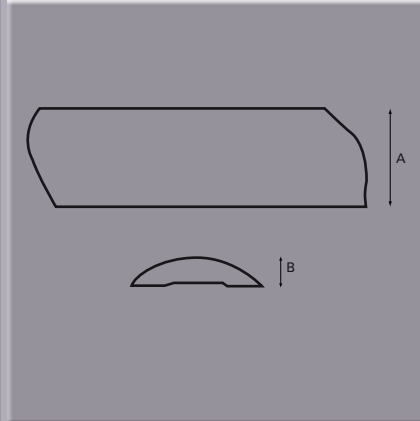


Bodyside Mouldings

Bodyside Moulding

Part No.	A	B	Coil Length	Finish
V117SA	mm35	8	25m	Black

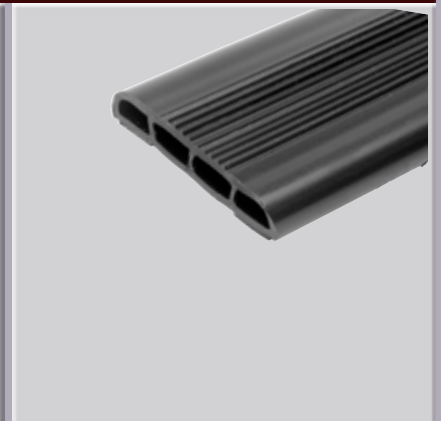
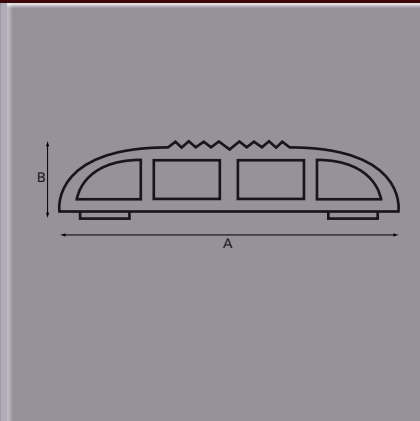
Self-adhesive rubber buffer section.



Bodyside Moulding

Part No.	A	B	Coil Length	Finish
SVF223	mm 50	10	25m	Black

Self-adhesive rubber buffer.

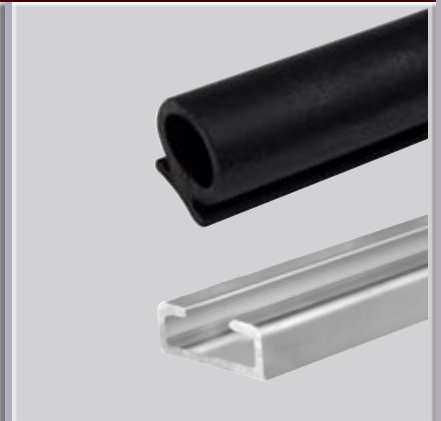
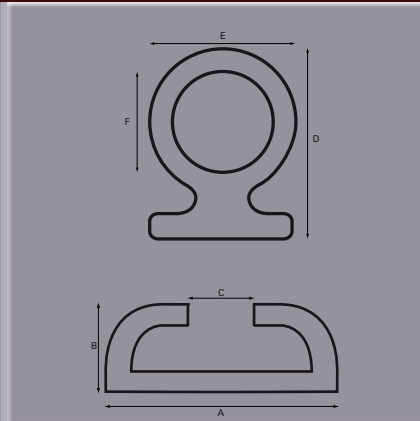


Bodyside Moulding

Part No.	A	B	C	D	E	F	G	H	Finish
4030090	mm			28	24	16.5			Black
3720227	mm 25	9	10						Self Colour

4030090 – 30 metre Rubber Buffer Profile

3720227 – 5 metre Aluminium Carrier



Wheelarch Moulding

Part No.	A	B	C	D	E	F	G	H	Finish
453887	mm 14	10	45						Black

2.5 metre length heavy duty rubber Wheelarch moulding.

Suitable for 2mm – 4mm panel thickness.

Fix using mechanical fixings and polyurethane adhesive.

