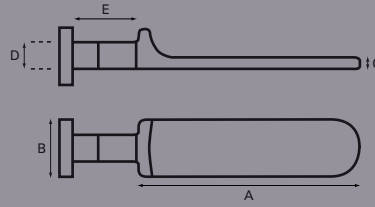




## Tailboard Lugs

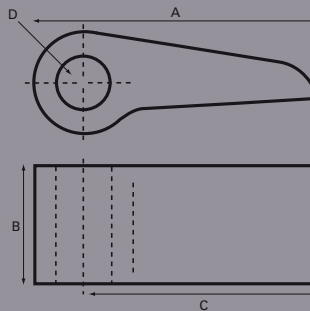
Part No.	A	B	C	D	E	F	G	H	Finish
8308-1	mm 90	32	6	19	44				Self Colour
8308-2	mm 90	38	8	25	56				Self Colour

Short plate for welding.



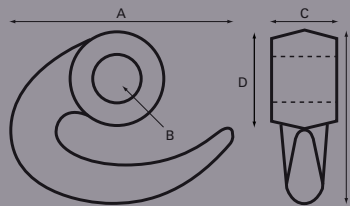
## Locking Bar Tabs

Part No.	A	B	C	D	E	F	G	H	Finish
6023-1	mm 80	30	62	20					Self Colour
6023-2	mm 80	32	62	26					Self Colour



## Locking Bar Hooks

Part No.	A	B	C	D	E	F	G	H	Finish
6022-1	mm 86	20	25	37	70				Self Colour
6022-2	mm 75	26	25	37	75				Self Colour



## Locking Bar Brackets

Part No.	A	B	C	D	E	F	G	H	Finish
6025-1	mm 85	35	30	20	60				Self Colour
6025-2	mm 90	42	38	26	67				Self Colour

