



# Handwash Units

## Compact Handwash Unit

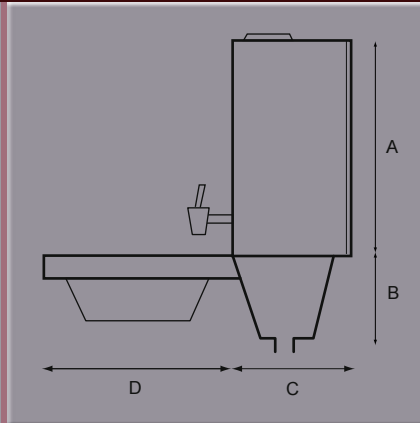
Part No.	A	B	C	D	E	F	G	H	Finish
307-12	mm250	100	210	150					12V Stainless Steel
307-24	mm250	100	210	150					24V Stainless Steel

Width 290mm

Loose Bowl; simply discard waste water.

3.8 litre water capacity; 15 AMP electrical draw.

Water temperature 45°C; 15 handwash capacity



## Tealwash Handwash Unit

Part No.	A	B	C	D	E	F	G	H	Finish
308-12	mm665	485	220	360					12V Moulded Grey
308-24	mm665	485	220	360					24V Moulded Grey

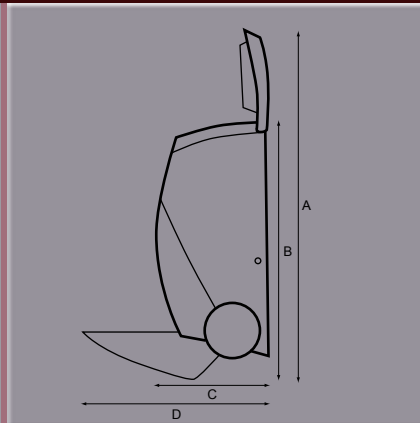
Unit width 300mm.

All moulded body gives excellent durability.

Folding bowl with waste water drain.

5 litre water capacity; 20 AMP maximum electrical draw.

Water temperature 45°C; 20 handwash capacity



## Handeman Handwash Unit

Part No.	A	B	C	D	E	F	G	H	Finish
309-12	mm325	175	325						12V Moulded Grey
309-24	mm325	175	325						24V Moulded Grey

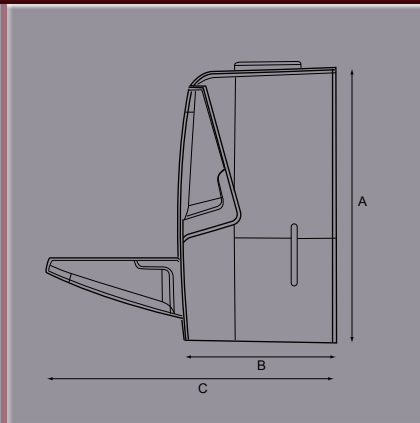
Unit width 300mm.

All moulded body gives extra durability.

Folding bowl with integrated waste water container.

2.5 litre water capacity; 15 AMP maximum electrical draw.

Water temperature 45°C; 10 handwash capacity.



**Other types of handwash are available to special order**