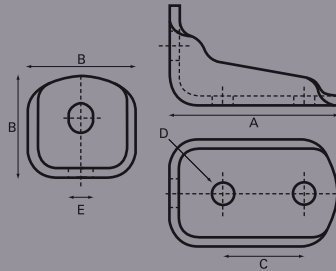




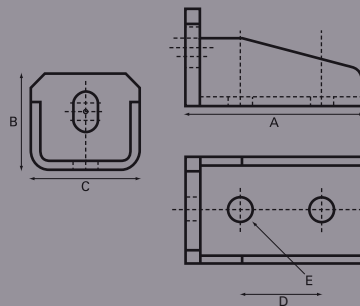
One Piece Pedestal Mounting



Part No.	A	B	C	D	E	F	G	H	Finish
8722	mm 90	60	45	11	12				Black

Pressed runner bracket to suit 100mm – 150mm runners. Used on the older Mercedes 809-1114 range and fits the Mercedes Vario chassis. It is also used as a general purpose runner bracket.

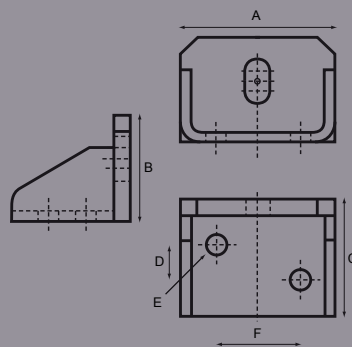
Mounting Bracket



Part No.	A	B	C	D	E	F	G	H	Finish
RG113A	mm 98	54	60	45	12				Black

Fabricated general purpose runner bracket to suit 100mm and 125mm runners.

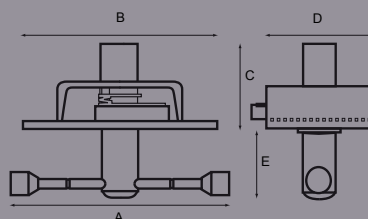
Mounting Bracket



Part No.	A	B	C	D	E	F	G	H	Finish
RG113B	mm 80	55	61	19	10	45			Black

Fabricated general purpose runner bracket to suit 75mm and 100mm runners.

Bridge Tensioner



Part No.	A	B	C	D	E	F	G	H	Finish
2006	mm165	140	60	70	60				Zinc Plated

Sprocket: steel drive with 12 teeth

This tensioner is handed

LH - OSF/NSR

RH - NSF/OSR