



Luggage Racking

Part No.	A	B	C	D	E	F	G	Finish
ABS Design	mm	290	580	330	155	90		
ALU Design	mm	278	500	270	155	60		

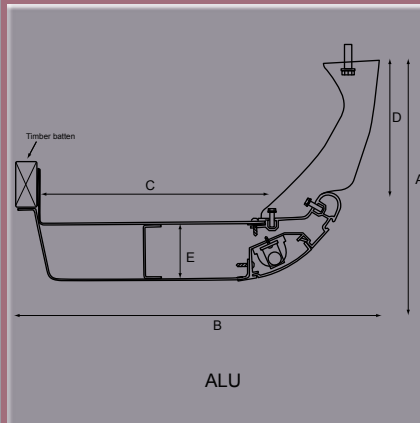
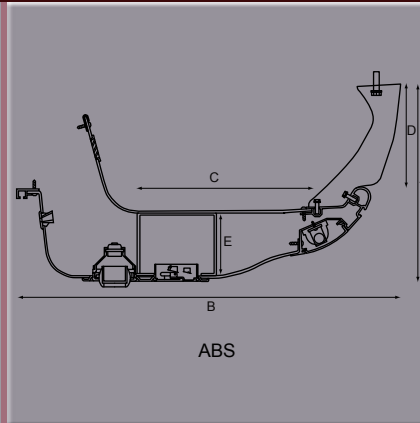
5 metre lengths of modular luggage racking suitable for forced air/air conditioning applications. Supplied in unassembled kit form complete with necessary fastenings/rivets etc.

Each rack comprises:

Aluminium handrail extrusion painted RAL 7004, 5 support brackets, ABS or aluminium lower deck, ABS or aluminium upper deck, ABS deck spacer section, cloth finished material for upper deck, window demist vents, aluminium deck end profiles/aluminium curtain rail, all necessary screws and rivets, installation manual

Options:

- Racking as above, without aisle lighting in handrail, and without service units
- Racking as above, without lighting, with double service (P340) units (2 with speakers)
- Racking as above, with service units and aisle lighting comprising 5 fluorescent 13 watt lamps and 3 night lights (blue) and wiring harnesses
- Full bespoke systems available



Luggage Rack Components

Part No.	Item	Finish
65309	5Mtr length aluminium handrail extrusion complete with polycarbonate lighting diffuser	Powder Coat Grey
66189	20Mtr length rubber protective cover strip for handrail	Black
62529	Roof mounted support bracket for handrail	Black ABS
64889	13 Watt handrail mounted fluorescent aisle light	12v White
61689	13 Watt handrail mounted fluorescent aisle light	24v White
69269	5 Watt handrail mounted nightlight	12v Blue
69279	5 Watt handrail mounted nightlight	24v Blue

Key luggage rack components are available from stock to enable bodybuilders to assemble racks to their own sizes and requirements. Top and bottom deck panels are provided by the bodybuilder to their own bespoke shape and width.

