



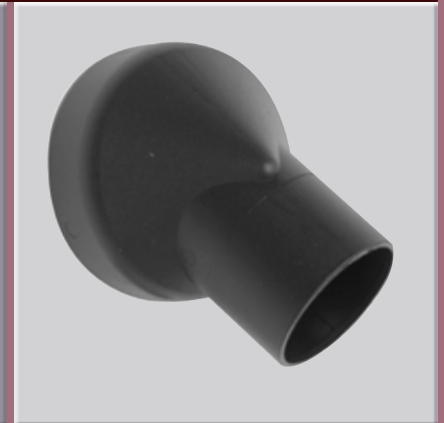
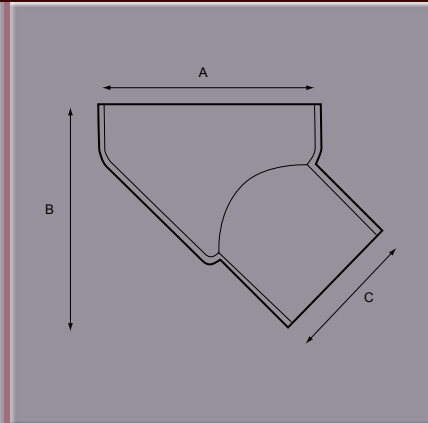
Connector

Part No.	A	B	C	D	E	F	G	H	Finish
51900	mm 69	74	45						45° Black
51890	mm 69	78	45						90° Black

Connector for air vent 52050, 66201 and 66211.

Part No. 51900 is a 45° angle connector.

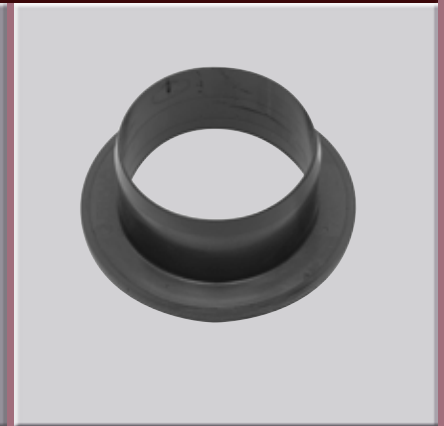
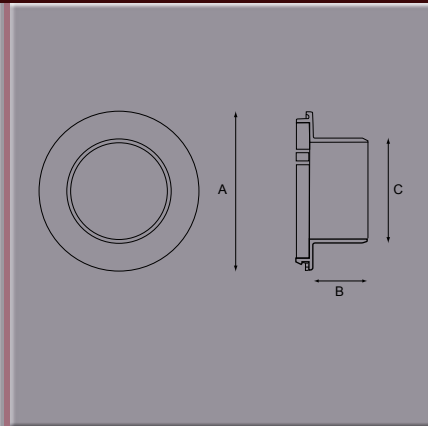
Part No. 51890 is a 90° angle connector.



Reducer

Part No.	A	B	C	D	E	F	G	H	Finish
65887	mm 82	28	58						Black

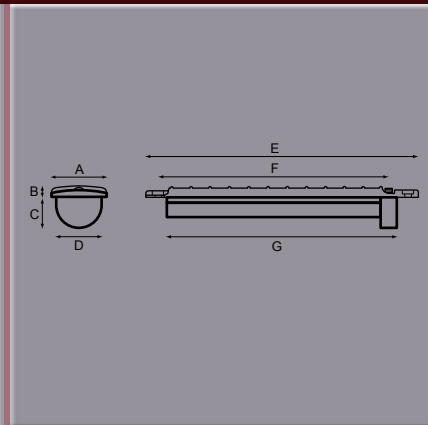
Reducer piece for air vent 66201, 66211, 65718 and 67597.



Air Diffuser Vent

Part No.	A	B	C	D	E	F	G	H	Finish
64750	mm 40	8	22	32	200	182	168		Black

Material: Glass Fibre Polyamide



Air Diffuser Vent

Part No.	A	B	C	D	E	F	G	H	Finish
61358	mm 155	36	148	4	32	19			Black
63489	mm 155	36	148	4	32	19			Black

Material: Glass Fibre Polyamide.

Part No. 61358 is clip fit

Part No. 63489 is screw fix

