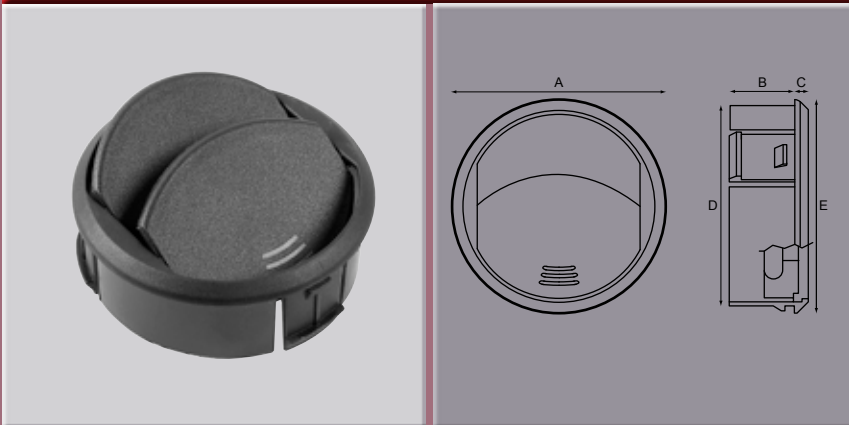




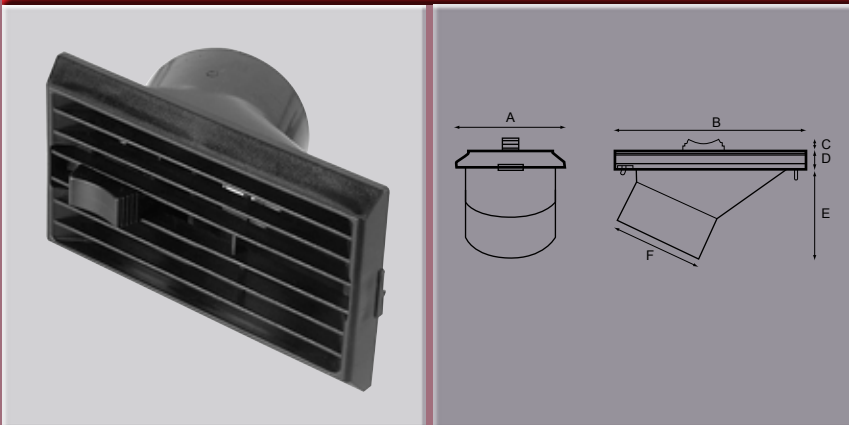
Air Diffuser Vent



Part No.	A	B	C	D	E	F	G	H	Finish
62292	mm 72	22	5	68	72				Black

Material: Glass Fibre Polyamide

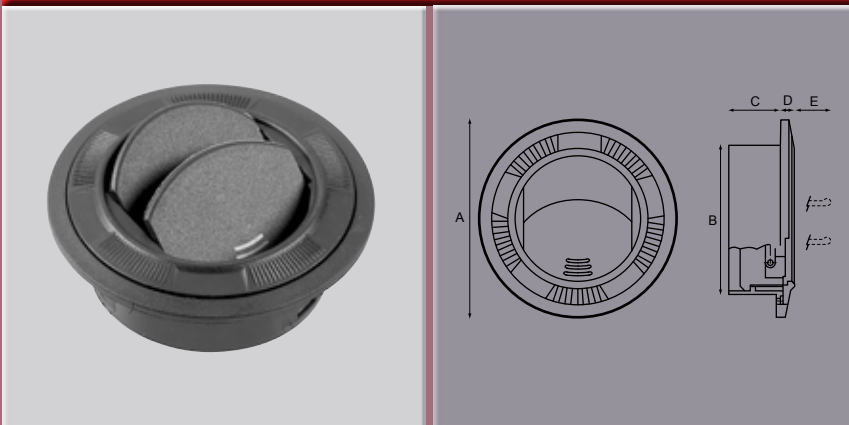
Air Diffuser Vent



Part No.	A	B	C	D	E	F	G	H	Finish
52050	mm 85	150	10	13	72	70			Black

Material: ABS thermo resistant

Air Diffuser Vent



Part No.	A	B	C	D	E	F	G	H	Finish
66201	mm101	76	20	7	18				Black
66211	mm101	76	27	7	18				Black

Material: Glass Fibre Polyamide

Adjustable flow

Air Diffuser Vent



Part No.	A	B	C	D	E	F	G	H	Finish
65718	mm 82	27	8	19	76	3			Black
67597	mm 82	27	8	19	76	5			Black

Material: Glass Fibre Polyamide