



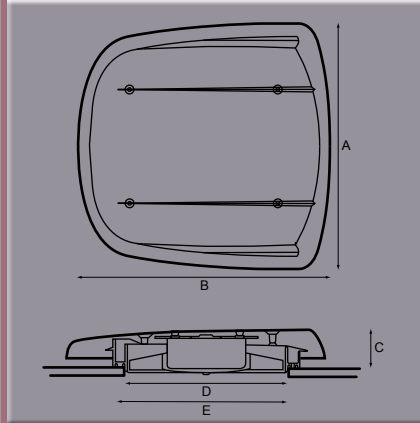
+44 (0)1454 319524  
 sales@stedall.co.uk  
 www.stedall.co.uk

# Roof Ventilators

## Electric Roof Ventilator

Part No.	A	B	C	D	E	F	G	H	Finish
354-1	mm303	310	53	203	215				12V White
354-2	mm303	310	53	203	215				24V White

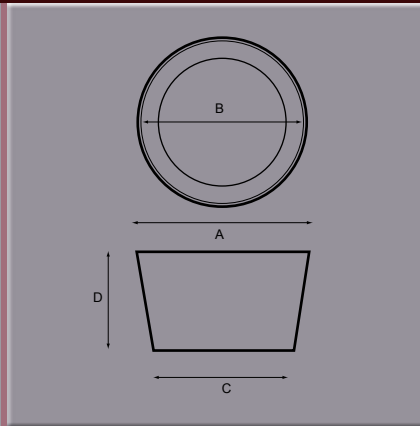
All moulded components. Complete with internal air diffuser.  
 40W motor, operates as intake or extract.  
 Air extraction capacity 450m<sup>3</sup>/hour.



## Spacer

Part No.	A	B	C	D	E	F	G	H	Finish
354T	mm238	234	204	130					Black

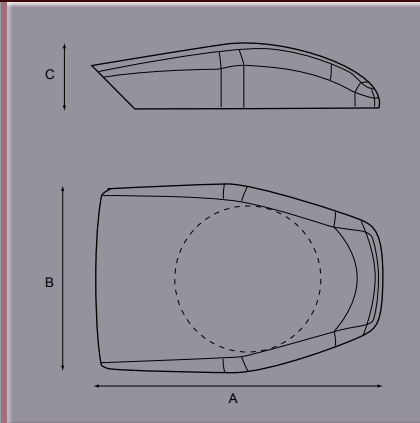
Black ABS spacer to suit vent 354, for double skinned roofs.



## Electric Roof Ventilator

Part No.	A	B	C	D	E	F	G	H	Finish
355	mm 480	320	111						12v Black
355-24v	mm 480	320	111						24v Black

High performance intake/extract vent, with three speeds and reverse function.  
 Top Dome: Black powder coated steel  
 Inner Frame: Black ABS  
 Air movement 500m<sup>3</sup>/hr  
 Complete with switch and air filter



## Moulded Roof Hatch

Part No.	A	B	C	D	E	F	G	H	Finish
821280	mm 340	70	40	340					Off White/Tan
821320	mm 420	65	35	380					Off White/Tan
821400	mm 460	65	30	460					Off White/Tan

Fit unit with handles to front and rear of vehicle  
 Mechanism allows vent to be opened in any direction  
 Dome is in translucent polypropylene and double skinned  
 Interior trim and fixing frame is tan coloured  
 Permanent ventilation even when fully closed to conform to BS5601

