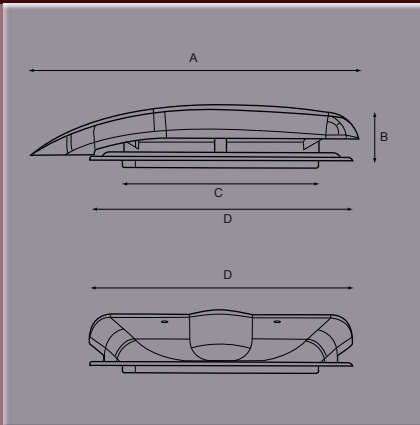




Electric Roof Ventilator



new
product



Part No.	A	B	C	D	E	F	G	H	Finish
353-1	mm385	64	230	312					12V White
353-2	mm385	64	230	312					24V White

All moulded components.

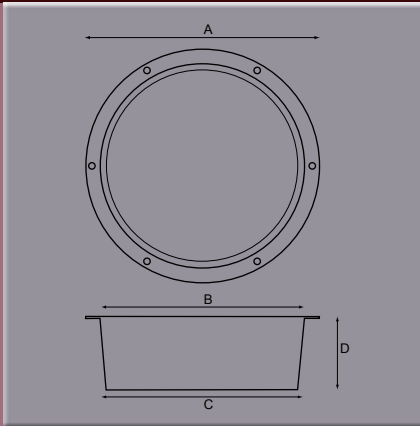
80 watt motor, operates as intake or extract.

Air extraction capacity 850m³/hour.

Spacer



new
product



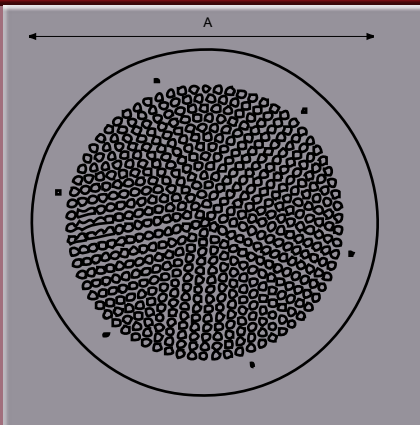
Part No.	A	B	C	D	E	F	G	H	Finish
353-3	mm253	220	207	83					Black

Black ABS spacer to suit vent 353, for double skinned roofs.

Interior Grille



new
product



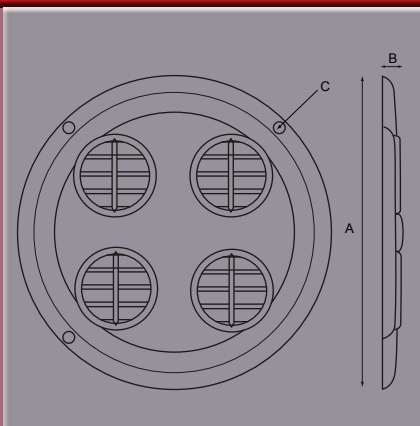
Part No.	A	B	C	D	E	F	G	H	Finish
353-4	mm270								Grey
353-6	mm180								Grey

Grey ABS interior grille -2mm thick material

Interior Air Diffuser



new
product



Part No.	A	B	C	D	E	F	G	H	Finish
353-5	mm280	22	4						Grey/Black

ABS grey body with four black louvre air vents.

Suitable for use with vent 353.