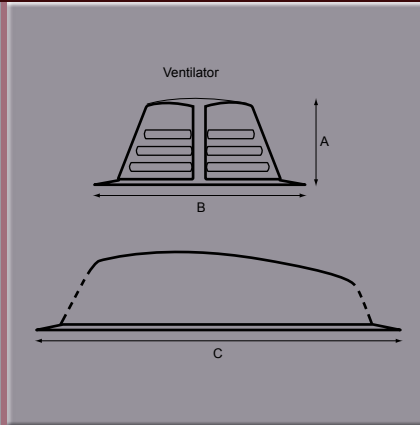




Intake/Extract Ventilator

Part No.	A	B	C	D	E	F	G	H	Finish
370-1	mm 65	197	270						Black

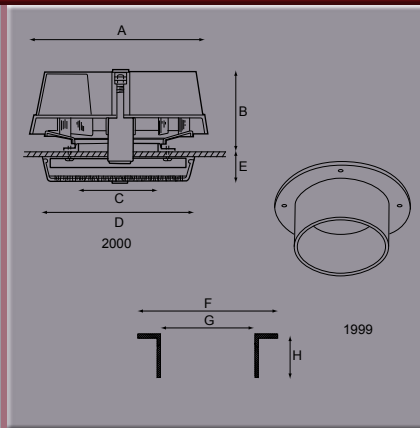
Moulded, vacuum formed ventilator.



Flettner Ventilator

Part No.	A	B	C	D	E	F	G	H	Finish
2000	mm225	98	94	189	36				Black
2000W	mm225	98	94	189	36				White
1999						145	98	50	Black

Part No. 1999 Adaptor for double skinned roofs up to 50mm thick.

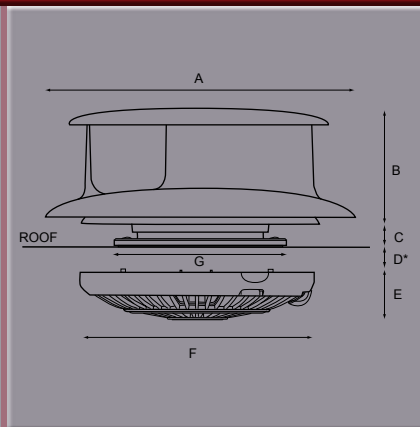


Flettner Ventilator

Part No.	A	B	C	D	E	F	G	H	Finish
2001	mm260	98	19	1-10	40	198	145		Black
2001W	mm260	98	19	1-10	40	198	145		White
2001NB	mm260	98	19	1-10	40	198	108		Black

High performance TCX version of original 2000 Ventilator.

Part No. 2001NB Is a narrow base version for ribbed roofs.



Roof Ventilator

Part No.	A	B	C	D	E	F	G	H	Finish
371	mm410	70	275	120	315				White

White acrylic dome with grey ABS tray - low profile

Can be used as a low rate extract vent on stand alone fitment, or as an intake vent on forced air applications

Suitable for roofs up to 80mm thick

