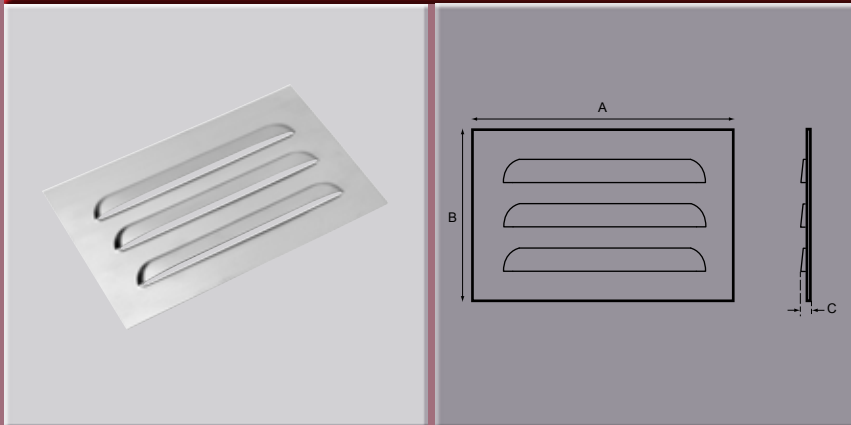




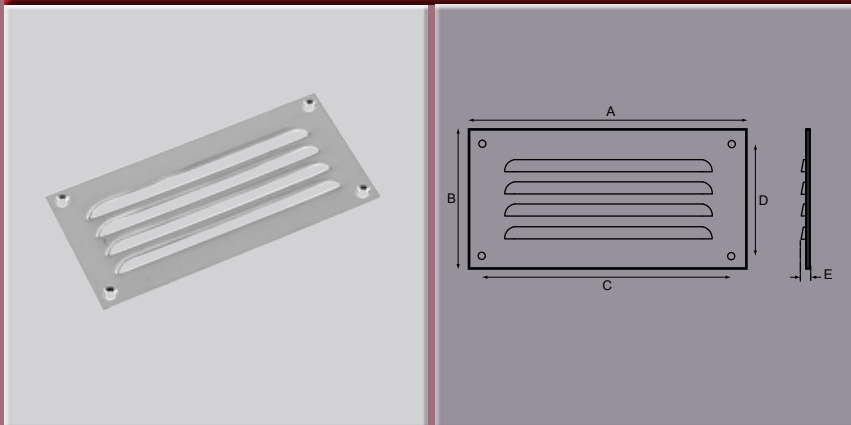
Fixed Louvre Ventilator



Part No.	A	B	C	D	E	F	G	H	Finish
2607	mm230	152	9						Anodised Aluminium

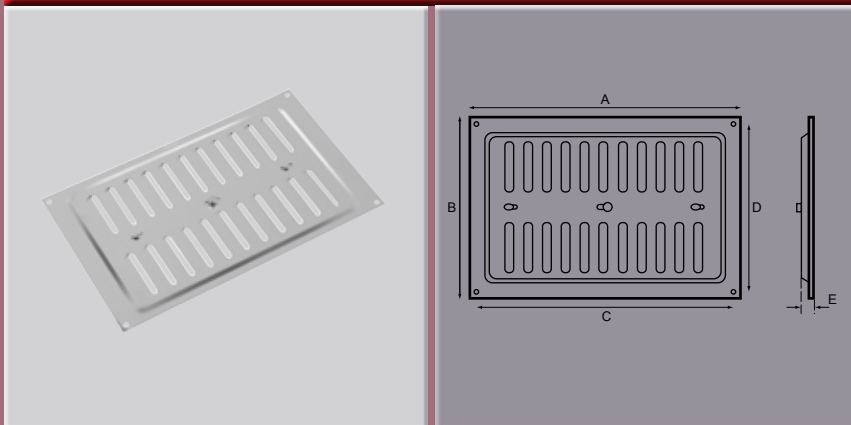
Undrilled

Fixed Louvre Ventilator



Part No.	A	B	C	D	E	F	G	H	Finish
577-1	mm152	76	139	63	7				Anodised Aluminium

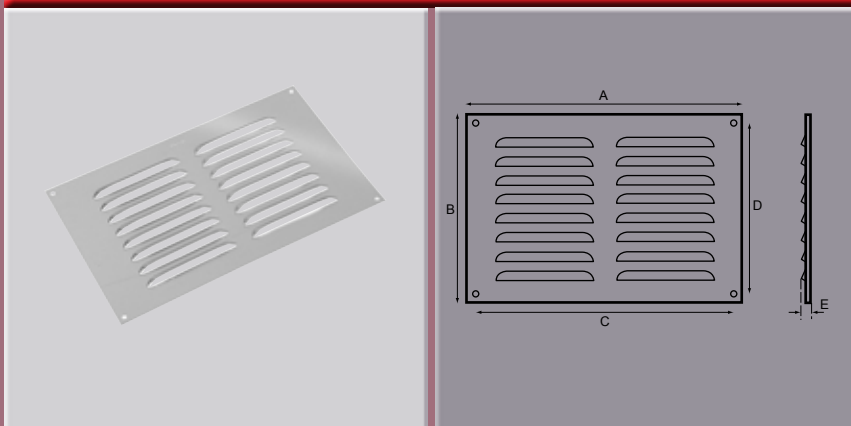
Hit and Miss Ventilator



Part No.	A	B	C	D	E	F	G	H	Finish
2608	mm260	165	248	152	2				Anodised Aluminium

Rim is press formed to ensure free shutter movement
Suitable for use with Part No. 2609 as matched pair

Fixed Louvre Ventilator



Part No.	A	B	C	D	E	F	G	H	Finish
2609	mm260	165	248	152	7				Anodised Aluminium

Suitable for use with Part No. 2608 as matched pair