



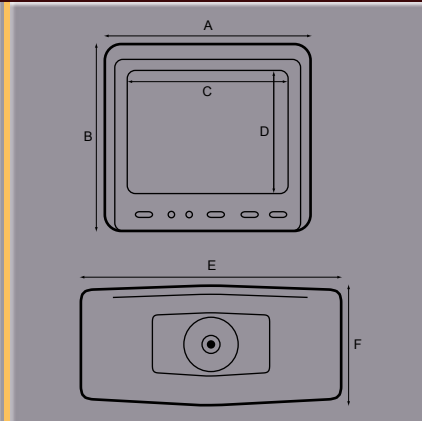
Reversing Aids

CCTV System

Part No.	A	B	C	D	E	F	G	H	Finish
999	mm148	112	114	76	100	53			Black
999C	mm				100	53			Black

Part No. 999 - 5" flat screen 12/24v LCD colour monitor system complete with mounting bracket and colour IP67 waterproof camera with 20Mtr's of cable

Part No. 999C - Additional camera and cable



Reverse Alarms

Part No.	A	B	C	D	E	F	G	H	Finish
85-1	mm 83	33	102	40	68				Black
85-3	mm 83	33	102	40	68				Black

85-1: standard reversing alarm with 2 wire flying lead.

85-3: night silent reversing alarm with 3 wire flying lead.

Rated at 97 decibels

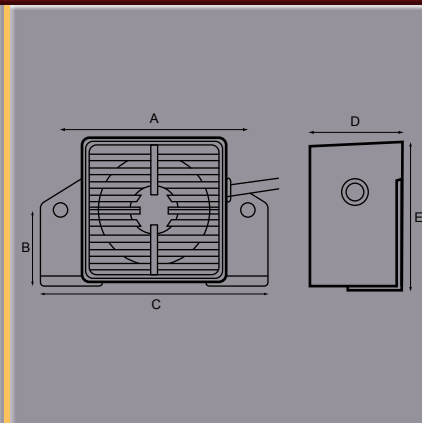
Dual voltage 12/24v

Solid state electronics sealed in urethane

Pressure washable

Operating temperature range -40°C to +77°C

E" approved.



Reversing Alarm

Part No.	A	B	C	D	E	F	G	H	Finish
85-2	mm 83	33	102	40	68				Black

Night silent reversing alarm with cab cut out button

Two wire flying lead

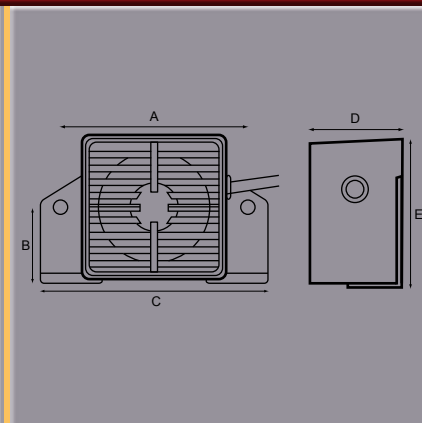
Rated at 97 decibels - dual voltage 12/24v

Solid state electronics sealed in urethane

Pressure washable

Operating temperature range of -40°C to +77°C

"E" approved.



Rear View Mirror

Part No.	A	B	C	D	E	F	G	H	Finish
4009	mm 252	168	145	75	100				Black

Material: Body and bracket in black ABS

Arm in steel.

Flat glass.

