



# Marker Lights

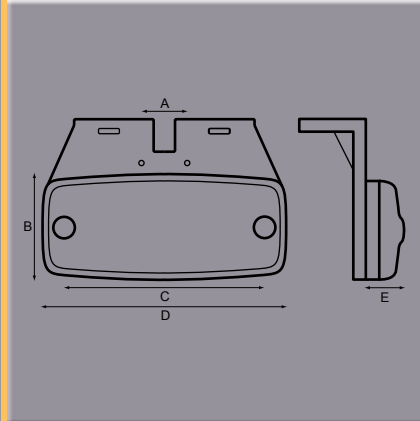
## Pendant Marker Lamp - LED

| Part No. | A     | B  | C  | D   | E  | F | G | H | Finish        |
|----------|-------|----|----|-----|----|---|---|---|---------------|
| 7833     | mm 20 | 51 | 90 | 111 | 22 |   |   |   | Amber - Black |

Material; Polycarbonate.

Fitted 3x24v LED vibration resistant diodes - and flying leads.

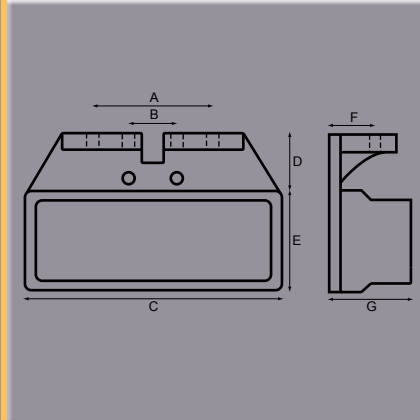
Water sealed for life.



## Pendant Marker Lamp

| Part No. | A     | B  | C   | D  | E  | F  | G  | H | Finish      |
|----------|-------|----|-----|----|----|----|----|---|-------------|
| 7825     | mm 50 | 20 | 116 | 27 | 46 | 22 | 38 |   | Amber-Black |

Takes 5 watt bulb.



## Marker Lamps - LED

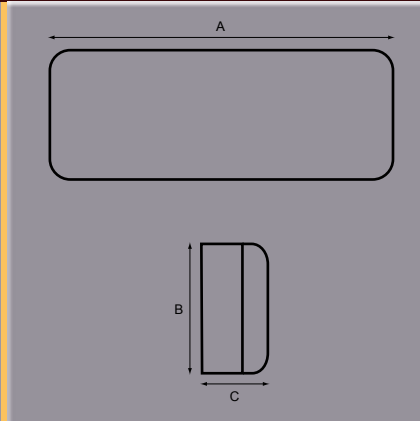
| Part No. | A     | B  | C  | D | E | F | G | H | Finish |
|----------|-------|----|----|---|---|---|---|---|--------|
| 7842     | mm120 | 44 | 30 |   |   |   |   |   | White  |
| 7843     | mm120 | 44 | 30 |   |   |   |   |   | Red    |
| 7844     | mm120 | 85 | 30 |   |   |   |   |   | Amber  |
| 7844-1   | mm120 | 44 | 30 |   |   |   |   |   | Amber  |

Material: Polycarbonate/ABS.

Dual Voltage 12/24v

Base is fixed to vehicle by two screws, lamp slots in to the base covering the fixing screws.

Part No. 7844 includes a pendant bracket.



## Plant on Marker Lamps

| Part No. | A     | B  | C  | D  | E | F | G | H | Finish      |
|----------|-------|----|----|----|---|---|---|---|-------------|
| 7811     | mm116 | 87 | 50 | 34 |   |   |   |   | Clear-Black |
| 7813     | mm116 | 87 | 50 | 34 |   |   |   |   | Red-Black   |
| 7814     | mm116 | 87 | 50 | 34 |   |   |   |   | Amber-Black |

Material; Polycarbonate.

5 watt bulb.

