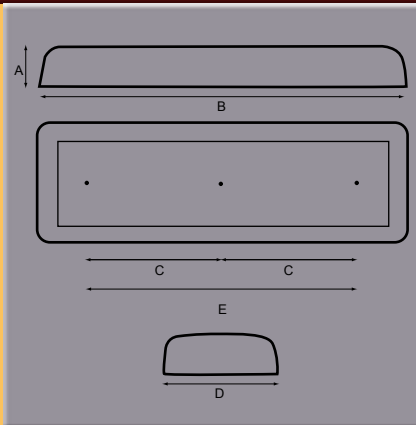




## Fluorescent Lights - Surface Mounting



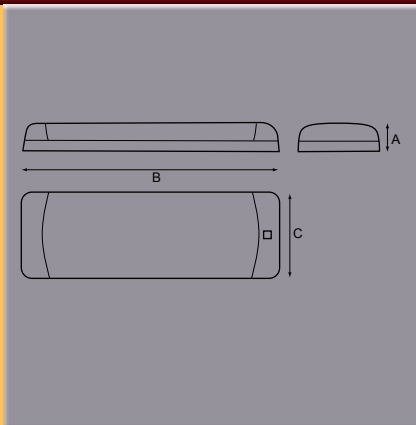
Part No.	A	B	C	D	E	F	G	H	Output
SL18	mm 35	390	125	238					8w
SL28	mm 35	390	125	238					16w
SL113	mm 35	620	230	125					13w
SL213	mm 35	620	230	125					26w

Please specify voltage when ordering.

Available switched to special order.

Single or twin tubes.

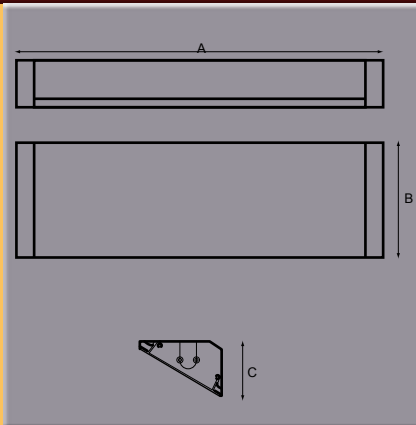
## Fluorescent Lights - Surface Mounting



Part No.	A	B	C	D	E	F	G	H	Output
BL28-12v	mm 28	428	110						16w
BL28-24v	mm 28	428	110						16w

Low profile switched light surface mounted.

## Fluorescent Corner Lights



Part No.	A	B	C	D	E	F	G	H	Output
TR15	mm 506	120	79						15w
TR20	mm 658	120	79						18w
TR30	mm 963	120	79						30w
TR40	mm 1268	120	79						36w

Please specify voltage when ordering.

Extruded aluminium chassis.

High impact diffuser gives maximum light transmission.

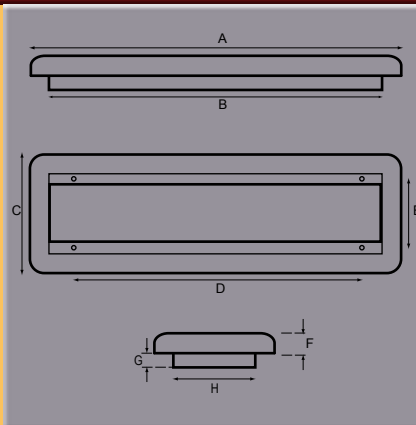
Fits neatly against ductwork or where roof corners are at right angles

Ideally suited for specialist vehicles.

Also available with raised diffuser.

Units easily convert to continuous run by removing end caps and fitting a link cap.

## Fluorescent Lights - Semi-Recessed



Part No.	A	B	C	D	E	F	G	H	Output
RL18	mm 382	325	115	238	95	18	15	80	8w
RL28	mm 382	325	115	238	95	18	15	80	16w

Please specify voltage when ordering.

Single or twin tubes.

Night light option available.