



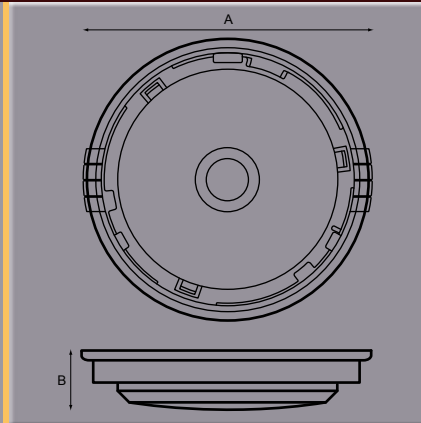
+44 (0)1454 319524
 sales@stedall.co.uk
 www.stedall.co.uk

Interior Lights

Plant On Refrigerator Light

Part No.	A	B	C	D	E	F	G	H	Finish
216	mm185	30							White

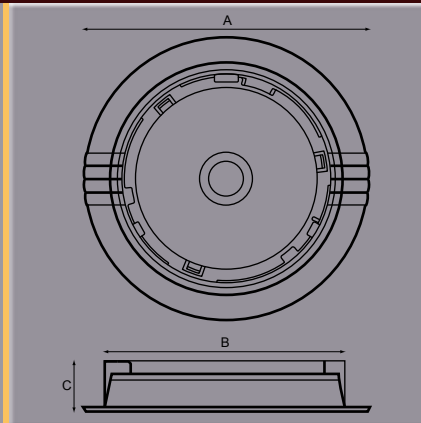
Material: Stainless steel with polycarbonate lens and white body.
 Dual voltage 12/24v
 Takes 2 X 21w bulbs



Recessed Refrigerator Light

Part No.	A	B	C	D	E	F	G	H	Finish
217	mm218	177	39						White

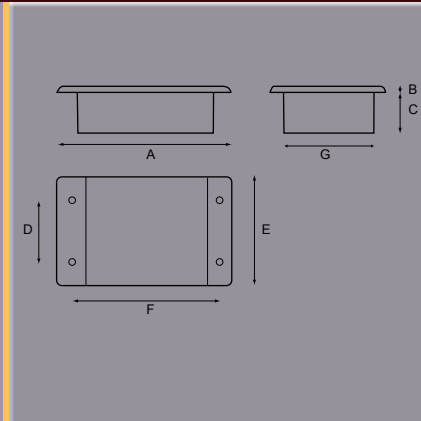
Material: Stainless steel with polycarbonate lens and white body.
 Dual voltage 12/24v
 Takes 2 X 21w bulbs



Recessed Refrigerator Light

Part No.	A	B	C	D	E	F	G	H	Finish
CL001	mm164	6	38	50	102	143	83		White - 12V
CL002	mm164	6	38	50	102	143	83		White - 24V
CL003	mm164	6	38	50	102	143	83		White - 12V
CL004	mm164	6	38	50	102	143	83		White - 24V

Part No. CL001 & Part No. CL002 are supplied complete with 15 watt bulb.
 Part No. CL003 & Part No. CL004 are 30 LED units.
 Lux reading @ 1 Mtr. - CL003/CL004 150lux



Dual Mount LED Refrigerator Light

Part No.	A	B	C	D	E	F	G	H	Finish
CL005	mm183	108	11	7					12V White
CL006	mm183	108	11	7					24V White

Removable spacers allow a surface or recessed fit.
 48 White LED's.
 Lux reading @ 1 metre - 85 lux.

