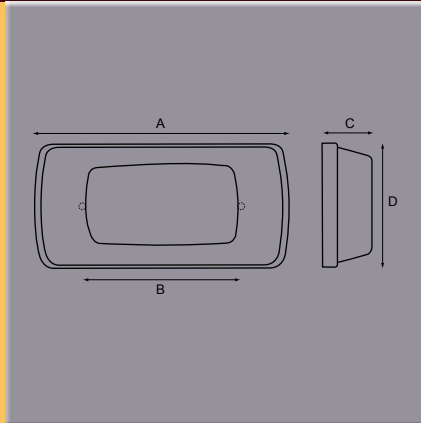




Refrigerator Light



Part No.	A	B	C	D	E	F	G	H	Finish
4051932	mm223	140	42	106					Self Colour

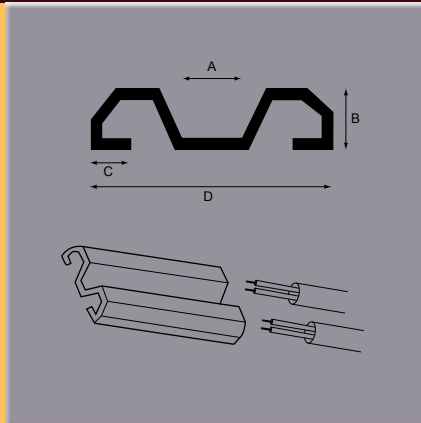
Manufactured from ABS & stainless steel with a polycarbonate lens.

Suitable for use with Part No. 4051936 recessed pan.

Takes 2 X 21w bulbs

Spare lens available, Part No. 4051932CA

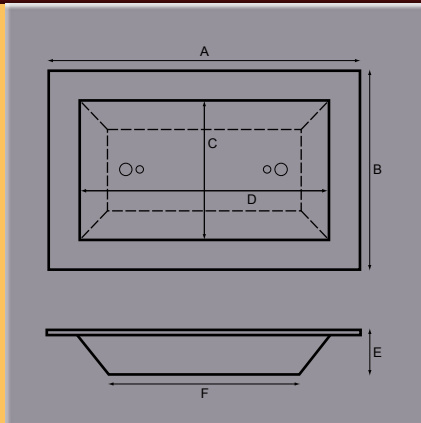
Cable Trunking



Part No.	A	B	C	D	E	F	G	H	Finish
4051933	mm 10	8	4	30					White

5 Mtr. length white PVC cable trunking for use with refrigerator lights.

Recessed Pan For Refrigerator Light

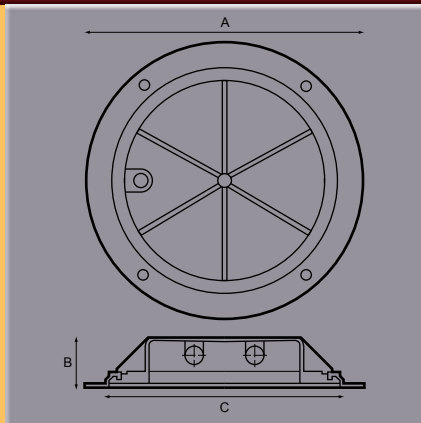


Part No.	A	B	C	D	E	F	G	H	Finish
4051936	mm360	240	185	300	40	245			Cream

Material: ABS.

Suitable for use with Part No. 218 & Part No. 4051932.

Recessed Refrigerator Light



Part No.	A	B	C	D	E	F	G	H	Finish
0386 23737	mm218	37	178						12v Polycarbonate
0386 23738	mm218	37	178						24v Polycarbonate

Recessed water resistant polycarbonate ceiling light fitted with 2 X 15w torpedo bulbs - stainless steel lampholder.

Projection when fitted 2.50mm