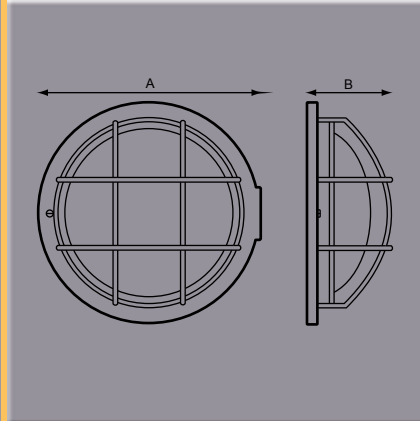




Surface Fitting Roof Light

Part No.	A	B	C	D	E	F	G	H	Finish
64G	mm123	48							Chrome Plated

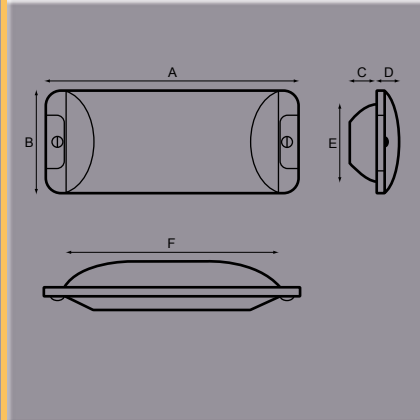
Chrome plated brass front hinged to a white epoxy coated steel base.
 Stippled glass lens is fitted with chrome plated wire guard.



Twin Bulb Roof Light

Part No.	A	B	C	D	E	F	G	H	Finish
414	mm290	119	32	25	68	250			White

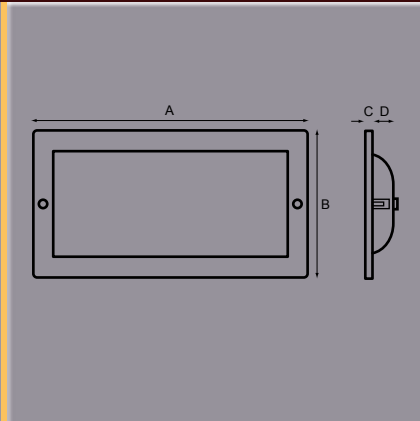
Semi-recessed roof light with a toughened polystyrene opal diffuser secured to an epoxy coated steel base by chrome plated end caps.
 Dual voltage 12/24v
 Bulb not supplied



Flush Twin Bulb Roof Light

Part No.	A	B	C	D	E	F	G	H	Finish
415	mm255	130	8	22					Grey

Translucent polycarbonate lens. Plastic Frame
 Dual voltage. 12/24v
 Fitted with 2 10w and 1 5v 12v bulbs



Refrigerator Light

Part No.	A	B	C	D	E	F	G	H	Finish
218	mm230	110	40	85	205				Stainless Steel

Manufactured from stainless steel with a polycarbonate lens.
 Suitable for use Part No. 4051936 recessed pan.
 Takes 2 X 21w bulbs

