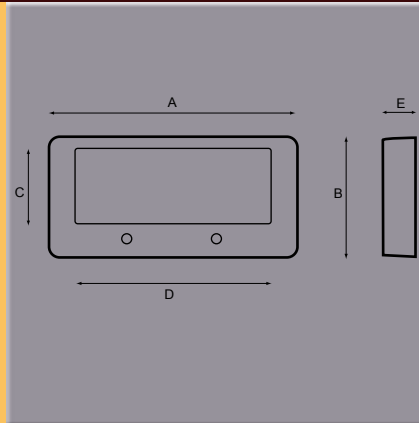




## LCD Clocks

| Part No. | A     | B  | C  | D  | E  | F | G | H | Finish    |
|----------|-------|----|----|----|----|---|---|---|-----------|
| 575-4    | mm120 | 65 | 31 | 88 | 18 |   |   |   | 12v Black |
| 575-5    | mm120 | 65 | 31 | 88 | 18 |   |   |   | 24v Black |

LCD clock with red numerals.

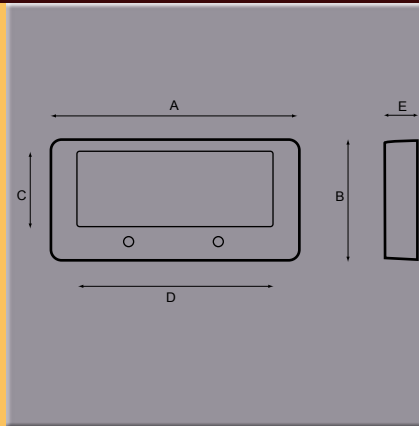


## LCD Signs

| Part No. | A     | B  | C  | D  | E  | F | G | H | Finish    |
|----------|-------|----|----|----|----|---|---|---|-----------|
| 575-6    | mm120 | 65 | 31 | 88 | 18 |   |   |   | 12v Black |
| 575-7    | mm120 | 65 | 31 | 88 | 18 |   |   |   | 12v Black |

Part No. 575-6 Stop sign with red lettering.

Part No. 575-7 WC sign with red lettering.

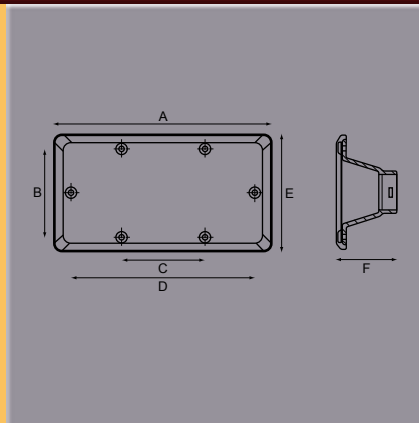


## Step Light

| Part No. | A     | B  | C  | D   | E  | F  | G | H | Finish            |
|----------|-------|----|----|-----|----|----|---|---|-------------------|
| 571      | mm142 | 57 | 55 | 122 | 75 | 52 |   |   | Translucent White |

Lens - polycarbonate.

Assembly - glass fibre polyamide.



## Step Light

| Part No. | A     | B   | C  | D   | E  | F  | G | H | Finish |
|----------|-------|-----|----|-----|----|----|---|---|--------|
| 576      | mm140 | 111 | 87 | 100 | 38 | 24 |   |   | Silver |

Material: Epoxy coated aluminium base with weatherproof gasket.

Epoxy coated cast aluminium guard.

Ribbed glass lens.

