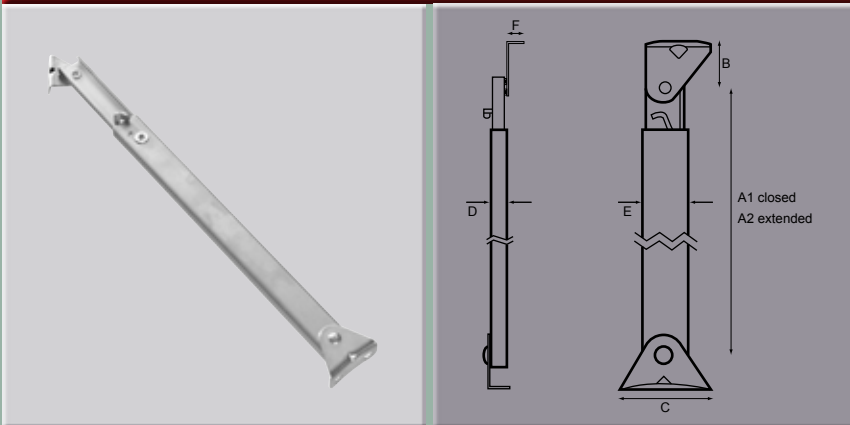




Support Stay



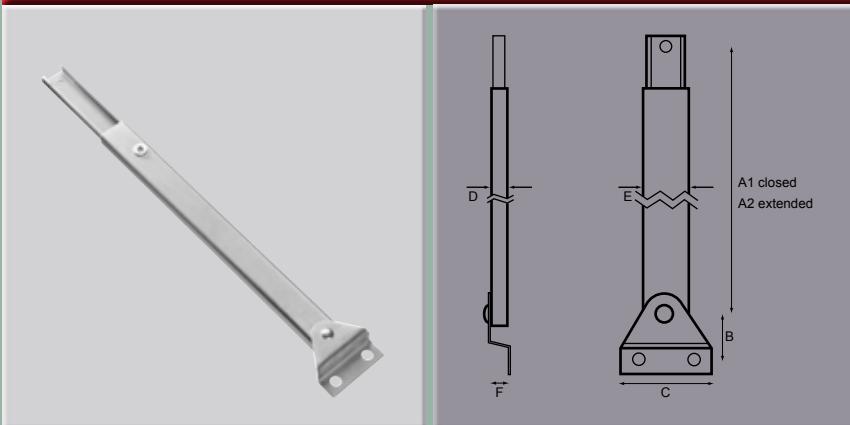
Part No.	A	B	C	D	E	F	G	H	Finish
6529	mm	1) 285	23	57	12	25	9		Zinc Plated
		2) 470							

Material: Zinc plated mild steel

Stay extends as door/hatch opens and locks in the extended position

Safety catch has to be manually depressed to close

Support Stay



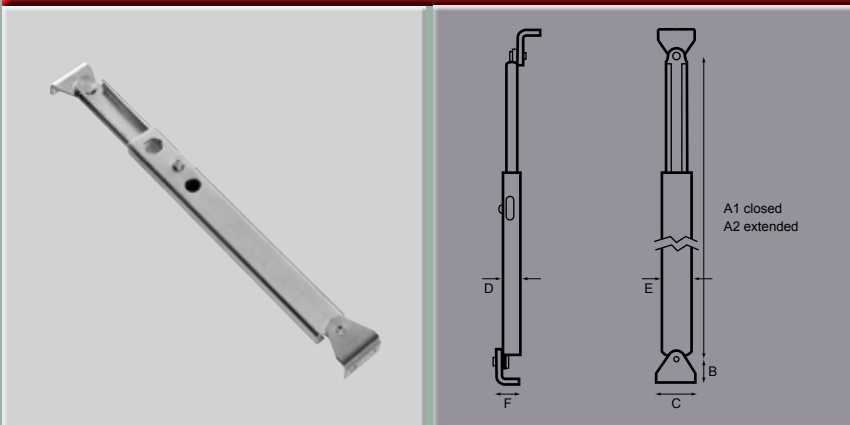
Part No.	A	B	C	D	E	F	G	H	Finish
6530	mm	1) 290	28	57	12	25	14		Zinc Plated
		2) 495							

Material: Zinc plated mild steel

Stay extends as door/hatch opens and locks in the extended position

To close, a slight further extension gives automatic release

Support Stay



Part No.	A	B	C	D	E	F	G	H	Finish
6531	mm	1) 152	16	24	9	19	13		Zinc Plated
		2) 239							

Material: Zinc plated mild steel

Stay extends as door/hatch opens and locks in the extended position

To close, a slight further extension gives automatic release

Gas Struts are illustrated in their own section