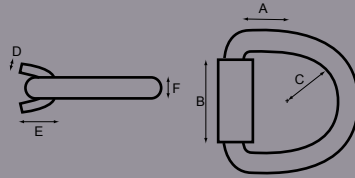




Lashing Ring

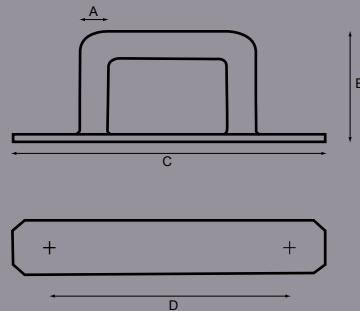


Part No.	A	B	C	D	E	F	G	H	Finish
3643803	mm 40	60	40	8	24	20			Self Colour Steel
3643805	mm 45	100	60	10	29	25			Self Colour Steel

Part No. 3643803 - 7 tonne

Part No. 3643805 - 12 tonne, conforms to EN29367 (ISO9367)

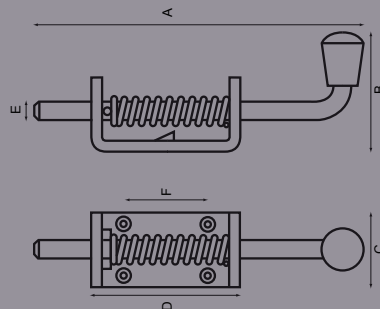
Lashing Ring



Part No.	A	B	C	D	E	F	G	H	Finish
5000885	mm 4	26	72	55					Zinc Plated Steel

Fixing hole diameter - 5.5mm

Spring Loaded Bolts



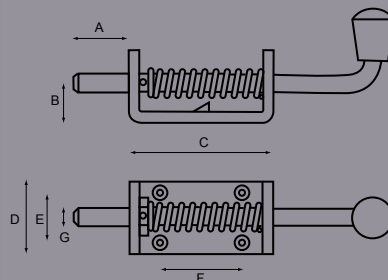
Part No.	A	B	C	D	E	F	G	H	Finish
8244-1	mm220	100	40	115	12	84			Zinc Plated
8244-2	mm255	120	50	130	16	93			Zinc Plated
8244-3	mm175	58	40	75	12	40			Zinc Plated
8244-4	mm145	60	40	70	9	45			Zinc Plated
8244-5	mm170	65	40	70	12	40			Zinc Plated

All supplied with plastic knobs on handle ends.

Part No. 8244-3 is supplied with Pillar retention.

All others with upstand retention.

Spring Bolts



Part No.	A	B	C	D	E	F	G	H	Finish
0354 22278	mm 32	16	74	40	28	40	12		Stainless Steel
0844902	mm 55	18	90	40	28	60	14		Stainless Steel

Stainless steel bolt with upstand retention

Part No. 0354 22278 has black plastic cap on bolt