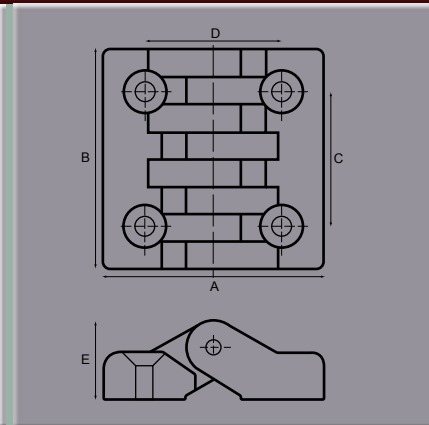




Nylon Hinges



Part No.	A	B	C	D	E	F	G	H	Finish
1720-1	mm 48	49	30	31	19				Black
1720-2	mm 48	49	30	31	19				Black
1721-1	mm 64	65	40	40	23				Black
1721-2	mm 64	65	40	40	23				Black

1720-1 (5.5mm)/1721-1 (6.5mm) open fixing - see drawing.

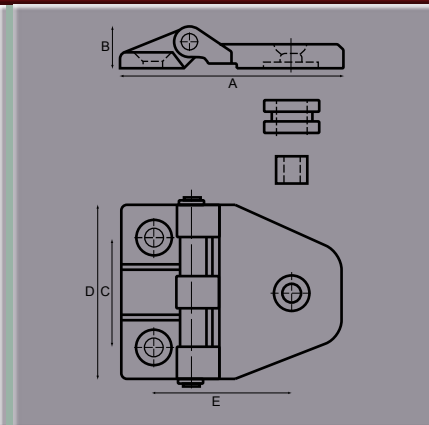
1720-2 (M5 nut)/1721-2 (M6 nut) concealed fixing - see illustration.

Material: polyamide.

Inserts are brass. Pin is zinc plated steel.

180° opening.

Glass Mounted Hinge

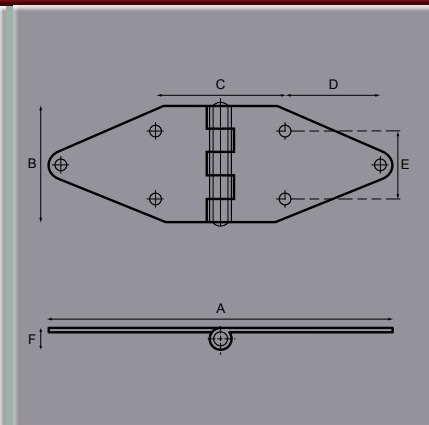


Part No.	A	B	C	D	E	F	G	H	Finish
6000	mm100	19	51	80	63				Black

Material: Plastic with zinc plated steel pin.

Supplied complete with grommet and spacer for 5mm glass.

Door Hinge

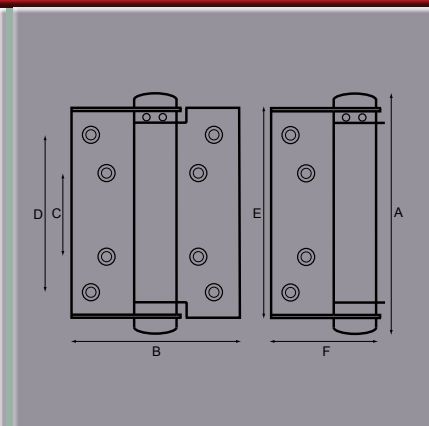


Part No.	A	B	C	D	E	F	G	H	Finish
1705	mm150	50	62	38	30	13			Zinc Plated

Material: 3mm steel zinc plated.

Fixing holes 6mm.

Spring Hinge - Single Action



Part No.	A	B	C	D	E	F	G	H	Finish
279-1	mm114	75	45	80	100	48			Silver Powder Coated
279-2	mm 75	68	27	59	75	44			Silver Powder Coated

Sold in pairs.

Material: Steel