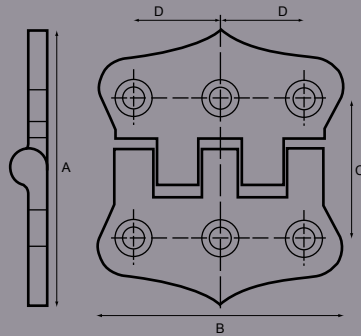


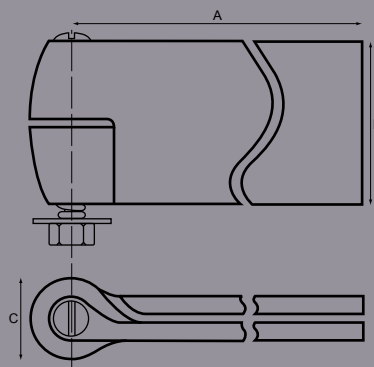
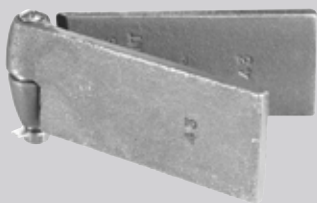


Locker Hinge



Part No.	A	B	C	D	E	F	G	H	Finish
2938A-3	mm 71	68	38	23					Chrome Plated

Self Aligning Ball Jointed Hinge

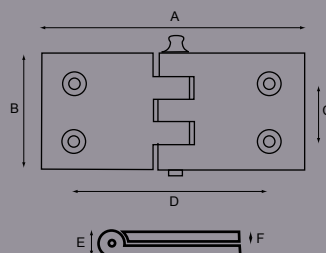


Part No.	A	B	C	D	E	F	G	H	Finish
1713-11LH	mm125	50	22						Self Colour
1713-11RH	mm125	50	22						Self Colour

Material: Cast Iron 6mm thickness.

L.H. is illustrated.

Steel Coach Hinge



Part No.	A	B	C	D	E	F	G	H	Finish
6010092	mm135	60	30	100	15	5			Zinc Plated

Hole diameter: 8.5mm countersunk